

SPECIFICATIONS

THE VENTY 323 SHOWER KIT INCLUDES

- TVY23-EM - 2-Way Type T/P Coaxial Valve Trim
- R23-EM - 2-Way Type T/P Coaxial Valve Rough
- R8045-EM - Shower Rail
- R495-EM - 20cm x 30cm (8" x 12") Rectangular Shower Head
- R594-EM - 40cm (16") Shower Arm
- R794-EM - Elbow Supply

WARRANTY

- www.riobel.design



KIT323VYC-EM

+44 (0)1952 221 100
www.riobel.design

A DISTINCTIVE MEMBER OF THE HOUSE OF ROHL

SPECIFICATIONS

DESCRIPTION

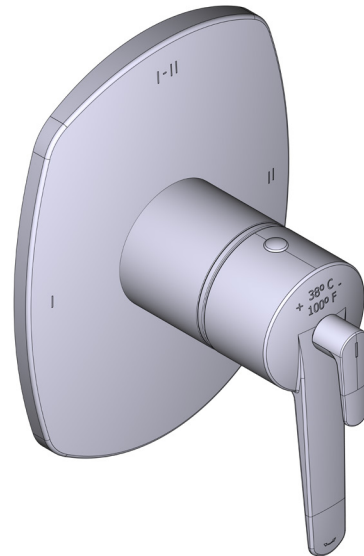
- Thermostatic/pressure balance coaxial cartridge with check valves
- Trim only
- R23-EM required to complete
- 4 positions (OFF, 1, 1 and 2, 2) share

FLOW

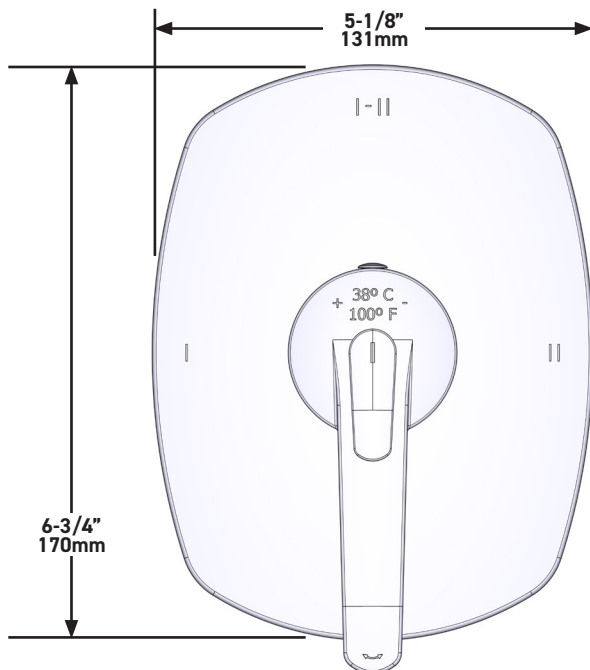
- 24 L/min, 60psi, 4 bar

WARRANTY

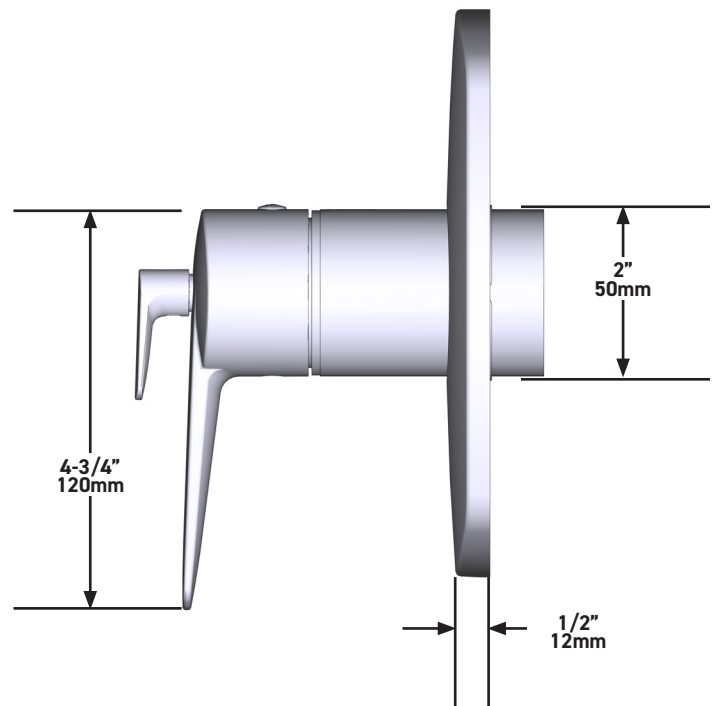
- www.riobel.design



**2-way Type T/P
Coaxial Valve Trim**



MODELS: TVY23-EM



+44 (0)1952 221 100
www.riobel.design

A DISTINCTIVE MEMBER OF THE HOUSE OF ROHL

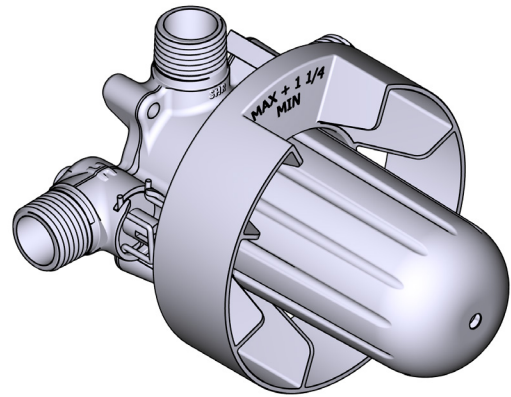
SPECIFICATIONS

DESCRIPTION

- Test cap
- Service valves
- G 1/2" male inlets
- Two G 1/2" outlets
- TGS23-EM trim required to complete
- Rough only

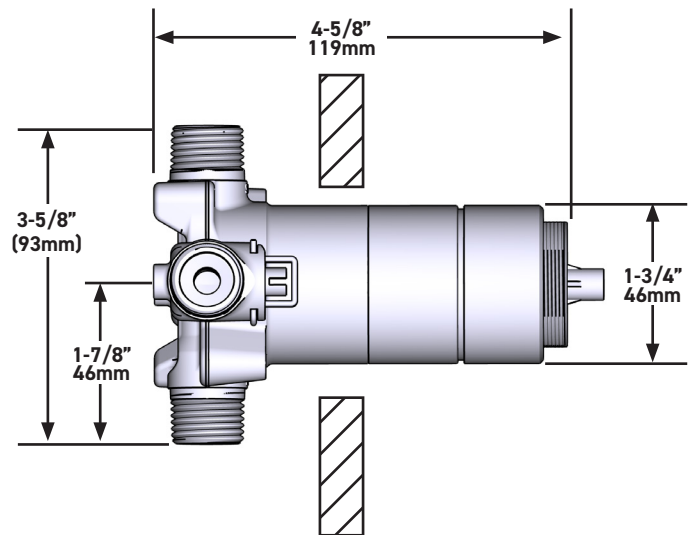
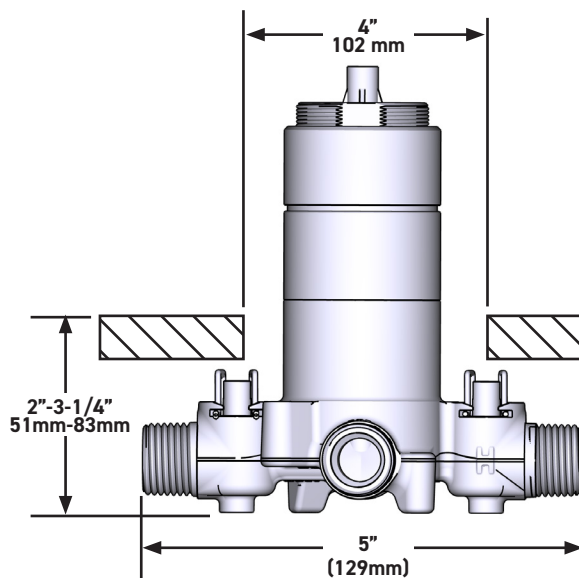
WARRANTY

- www.riobel.design



2-Way Type T/P Coaxial Valve Rough

MODELS: R23-EM



+44 (0)1952 221 100
www.riobel.design

A DISTINCTIVE MEMBER OF THE HOUSE OF ROHL

SPECIFICATIONS

DESCRIPTION

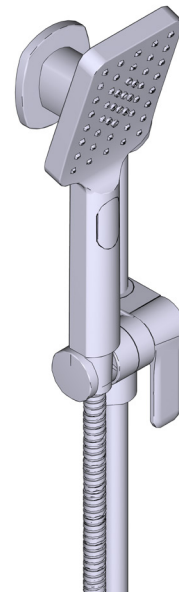
- Easy clean
- 150 cm (59") double interlock flexible hose, swivel and 2 check valves
- Ø19 mm (¾") slide bar
- Multifunction easy clean hand shower
- Easy-Glide left cursor

FLOW

- 7.6 L/min, 60 psi, 4 bar

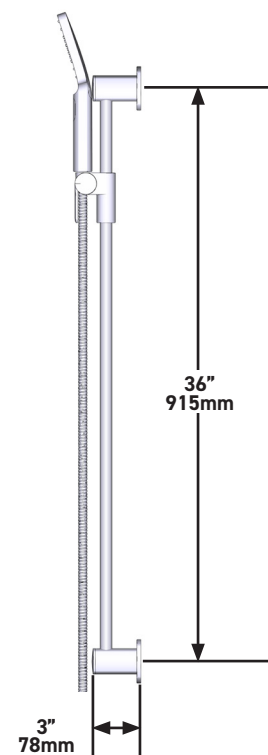
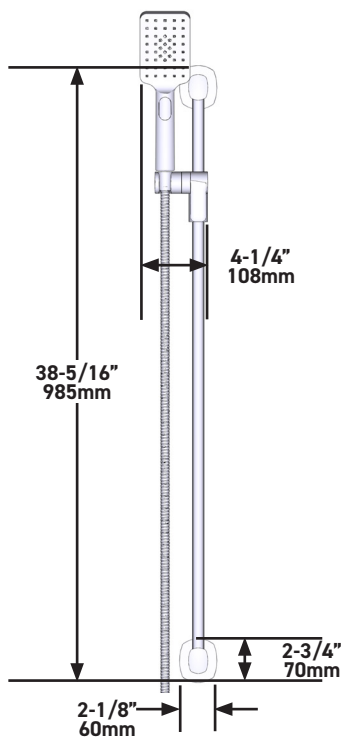
WARRANTY

- www.riobel.design



Shower Rail

MODELS: R8045-EM



+44 (0)1952 221 100
www.riobel.design

SPECIFICATIONS

DESCRIPTION

- Swivel
- Scale-free
- Stainless steel
- G1/2" inlet female

FLOW

- 7.6L/min, 60psi, 4 bar

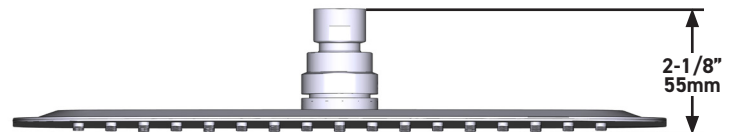
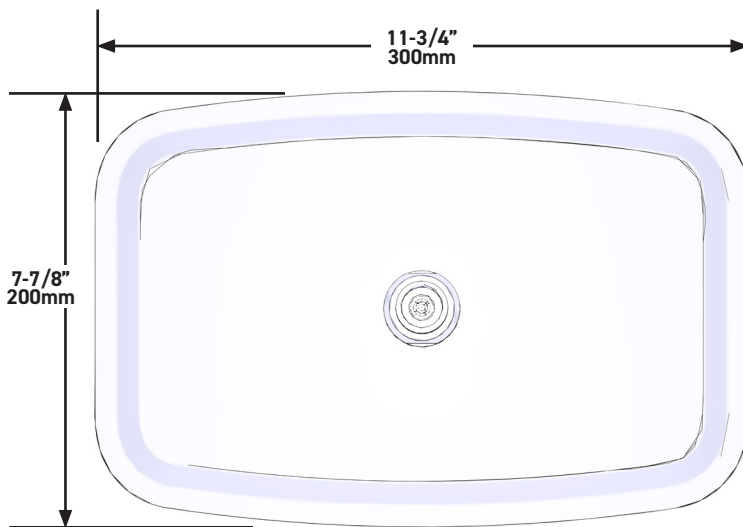
WARRANTY

- www.riobel.design



Rectangular Shower Head

MODELS: R495-EM



+44 (0)1952 221 100
www.riobel.design

A DISTINCTIVE MEMBER OF THE HOUSE OF ROHL

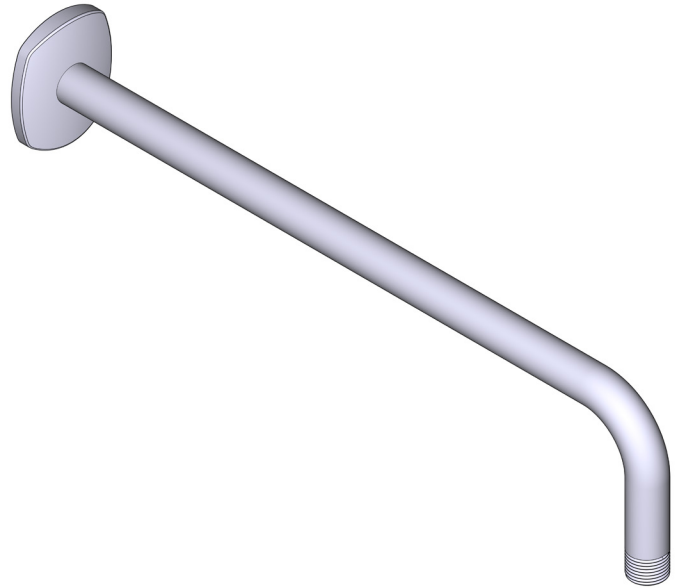
SPECIFICATIONS

DESCRIPTION

- G1/2" male inlet
- Shower arm with set screw

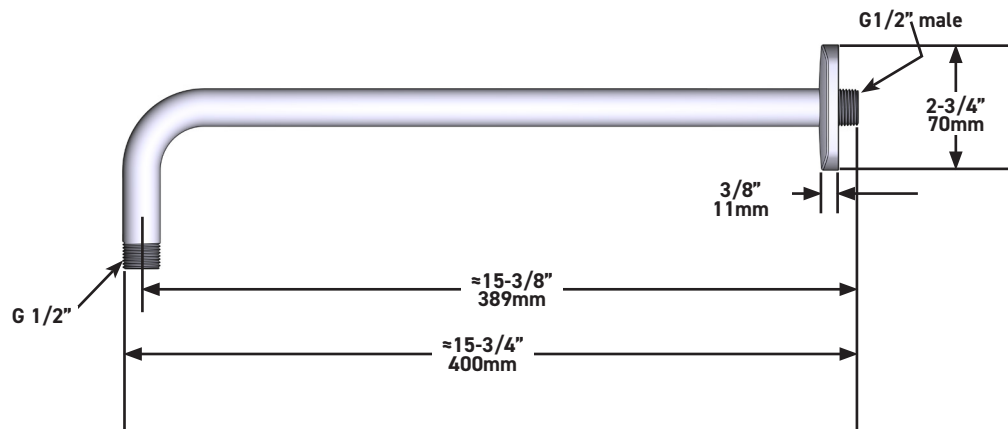
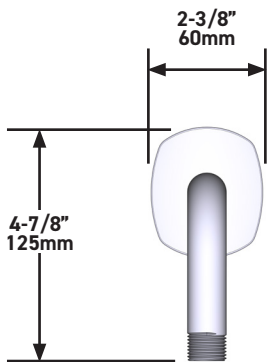
WARRANTY

- www.riobel.design



40cm (16") Shower Arm

MODELS: R594-EM



+44 (0)1952 221 100
www.riobel.design

A DISTINCTIVE MEMBER OF THE HOUSE OF ROHL

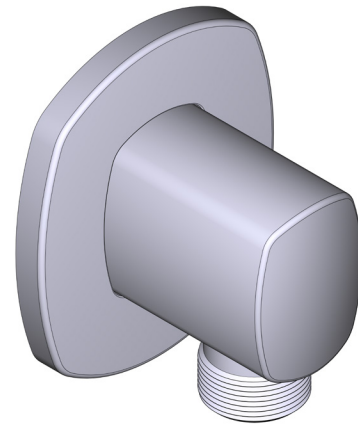
SPECIFICATIONS

DESCRIPTION

- G1/2" female inlet
- G1/2" shank supplied
- Adjustable depth
- G1/2" outlet male

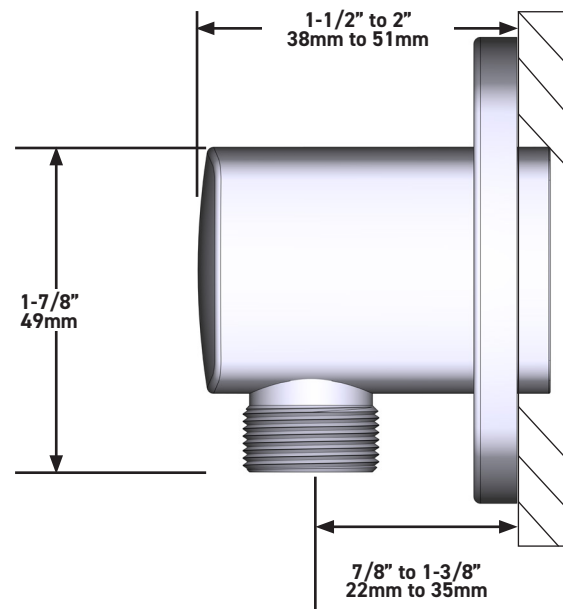
WARRANTY

- www.riobel.design



Elbow Supply

MODELS: R794-EM



+44 (0)1952 221 100
www.riobel.design

A DISTINCTIVE MEMBER OF THE HOUSE OF ROHL

TECHNISCHE DATEN

DAS DUSCHSYSTEM VENTY 323 ENTHÄLT

- TVY23-EM - 2-Wege Einbau-Ventil T/P Sichtteil, beide Strahlarten gleichzeitig nutzbar
- R23-EM - 2-Wege Einbau-Ventil T/P UP-Teil
- R8045-EM - Brausestange
- R495-EM - 20cm x 30cm (8" x 12") Kopfbrause eckig
- R594-EM - 40cm (16") Brausearm
- R794-EM - Wandanschlussbogen

GARANTIE

- www.riobel.design



KIT323VYC-EM

+44 (0)1952 221 100
www.riobel.design

A DISTINCTIVE MEMBER OF THE HOUSE OF ROHL

TECHNISCHE DATEN

BESCHREIBUNG

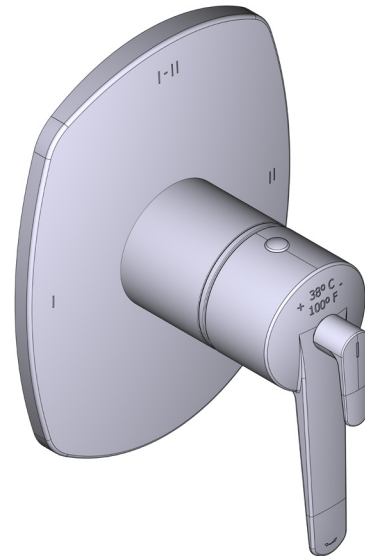
- Thermostat/Druckausgleichs-Kartusche mit Rückschlagventilen
- Nur Sichtteile
- R23-EM UP-Teil obligatorisch
- 4 Positionen (Aus,1,1 und 2,2) kann zusammen genutzt werden

DURCHFLUSSMENGE

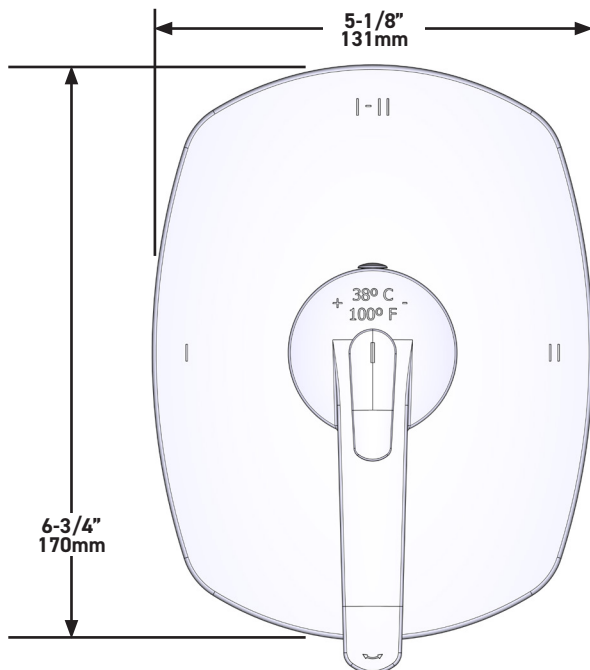
- 24 L/min, 60psi, 4 bar

GARANTIE

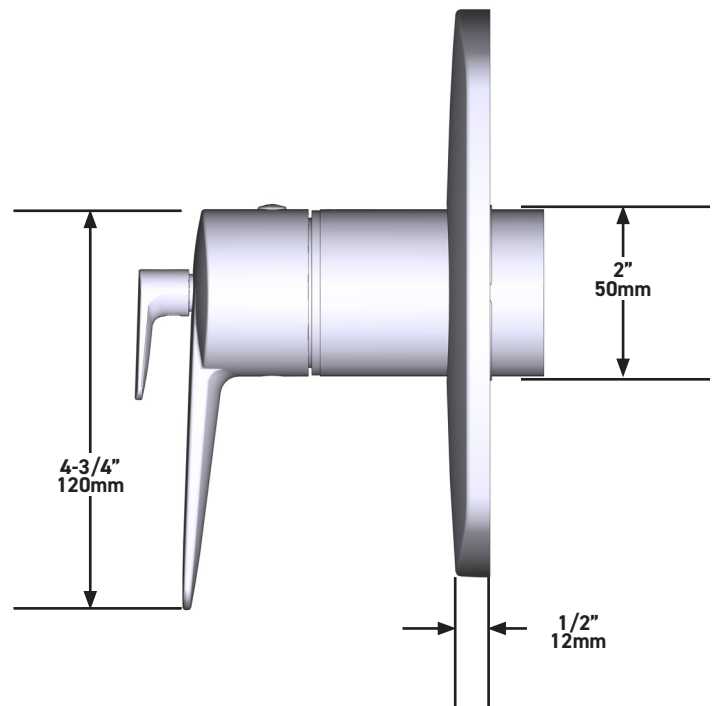
- www.riobel.design



2-Wege Einbau-Ventil T/P Sichtteil ,beide Strahlarten gleichzeitig nutzbar



MODELLE: TVY23-EM



+44 (0)1952 221 100
www.riobel.design

A DISTINCTIVE MEMBER OF THE HOUSE OF ROHL

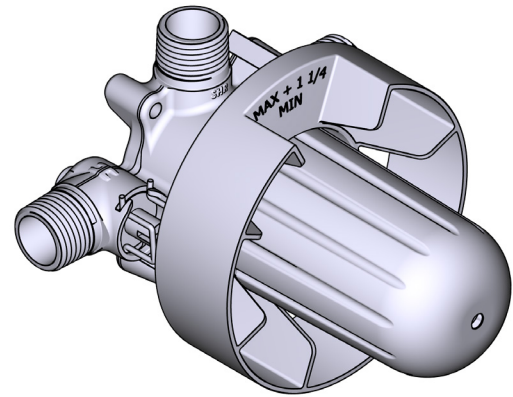
TECHNISCHE DATEN

BESCHREIBUNG

- Prüfkappe
- Service-Ventil
- G 1/2" Verbindung Aussengewinde
- 2 G 1/2" Aussengewindes
- TGS23-EM Zuschneiden erforderlich, um abzuschliessen
- Nur grob

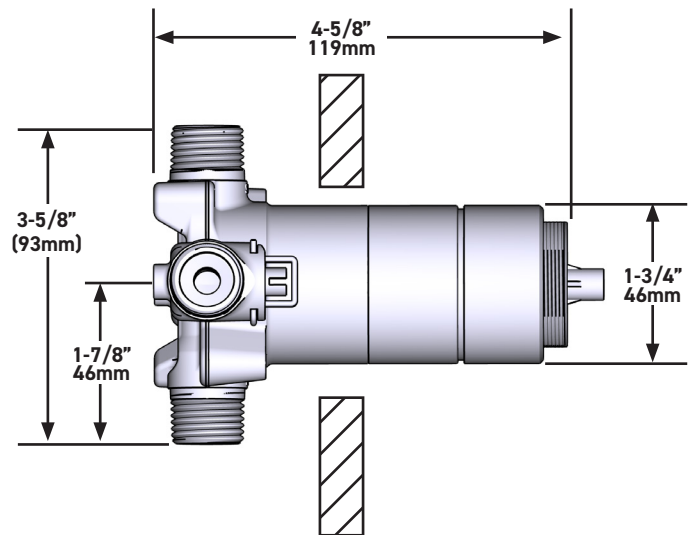
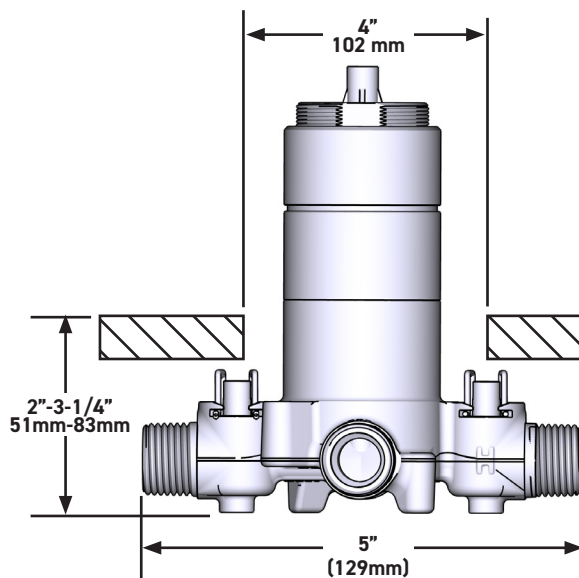
GARANTIE

- www.riobel.design



2-Wege Einbau-Ventil T/P Sichtteil , beide Strahlarten gleichzeitig nutzbar

MODELLE: R23-EM



+44 (0)1952 221 100
www.riobel.design

A DISTINCTIVE MEMBER OF THE HOUSE OF ROHL

TECHNISCHE DATEN

BESCHREIBUNG

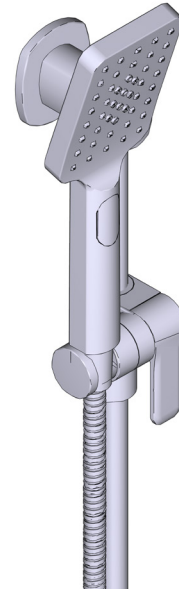
- Easy-Clean-Noppen
- 150 cm flexibler, doppelwandiger Schlauch mit Drehgelenk und 2 Anschlüssen
- Ø19 mm (¾") brausestange
- Zweistahl-Handbrause
- "Easy-Glide" Brausehalter

DURCHFLUSSMENGE

- 7.6 L/min, 60 psi, 4 bar

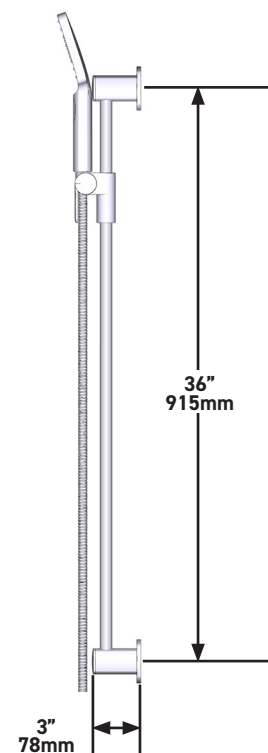
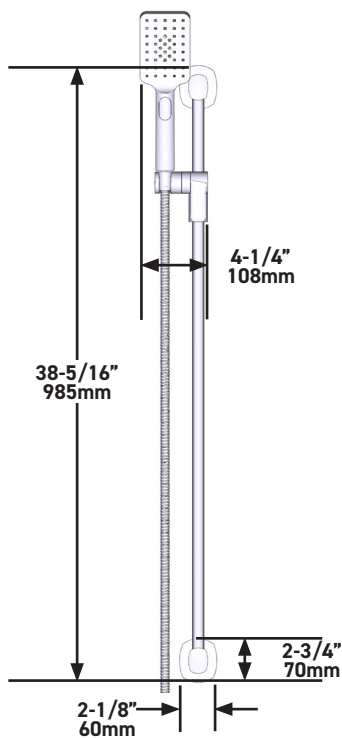
GARANTIE

- www.riobel.design



Brausestange

MODELLE: R8045-EM



+44 (0)1952 221 100
www.riobel.design

A DISTINCTIVE MEMBER OF THE HOUSE OF ROHL

TECHNISCHE DATEN

BESCHREIBUNG

- Drehbar
- Easy-Clean-Noppen
- Edelstahl
- G ½" Einlass Innengewinde

DURCHFLUSSMENGE

- 7.6L/min, 60psi, 4 bar

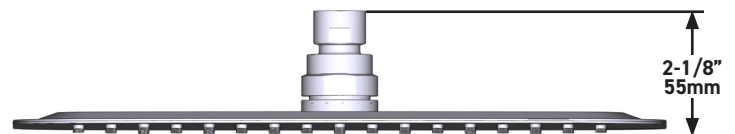
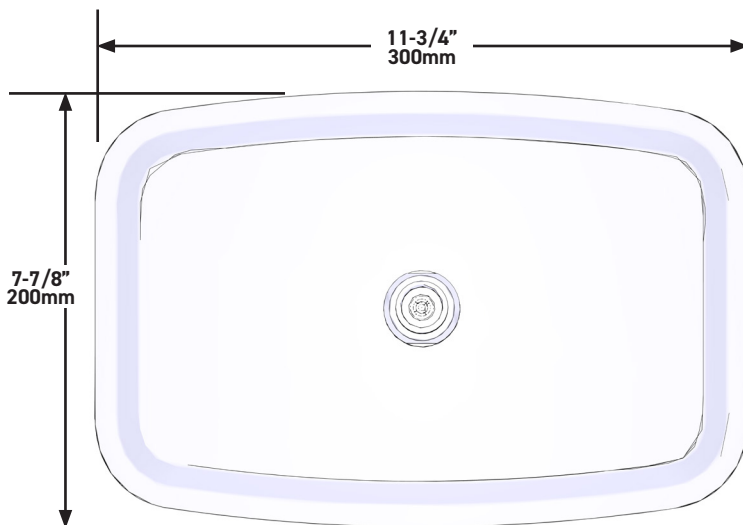
GARANTIE

- www.riobel.design



Kopfbrause eckig

MODELLE: R495-EM



+44 (0)1952 221 100
www.riobel.design

A DISTINCTIVE MEMBER OF THE HOUSE OF ROHL

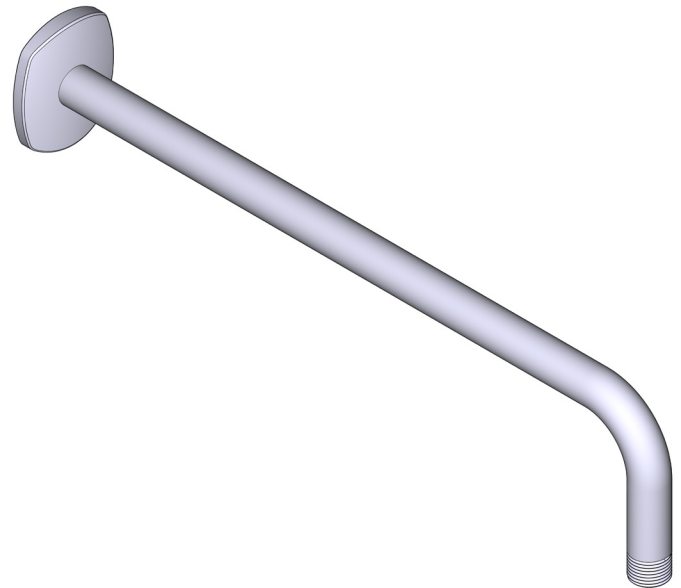
TECHNISCHE DATEN

BESCHREIBUNG

- G 1/2" Verbindung Aussengewinde
- Brausearm mit Madenschraube

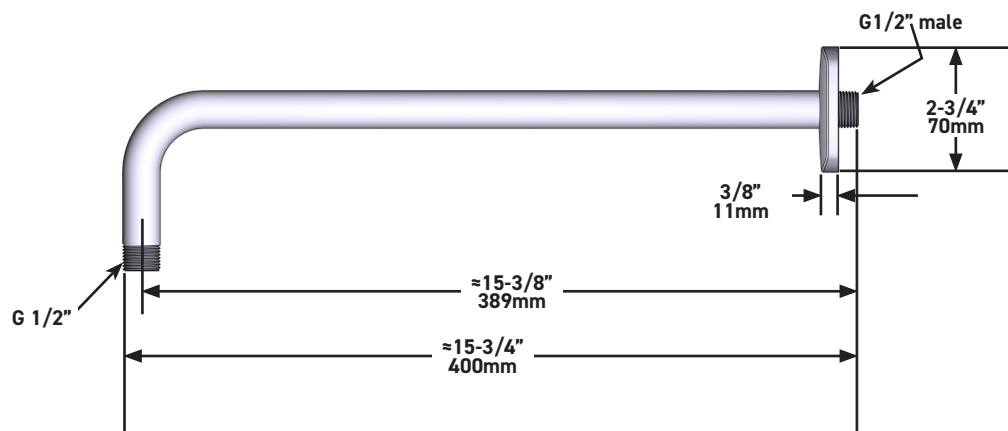
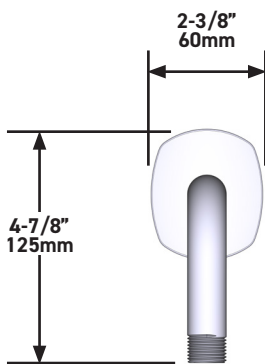
GARANTIE

- www.riobel.design



40 cm (16") Brausearm

MODELLE: R594-EM



+44 (0)1952 221 100
www.riobel.design

A DISTINCTIVE MEMBER OF THE HOUSE OF ROHL

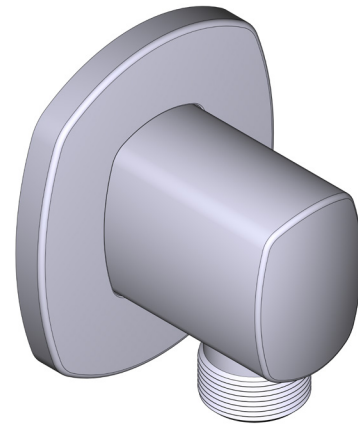
TECHNISCHE DATEN

BESCHREIBUNG

- G1/2" Einlass Innengewinde
- G1/2" Adapter im Lieferumfang
- Einstellbare Tiefe
- G1/2" Auslass Aussengewinde

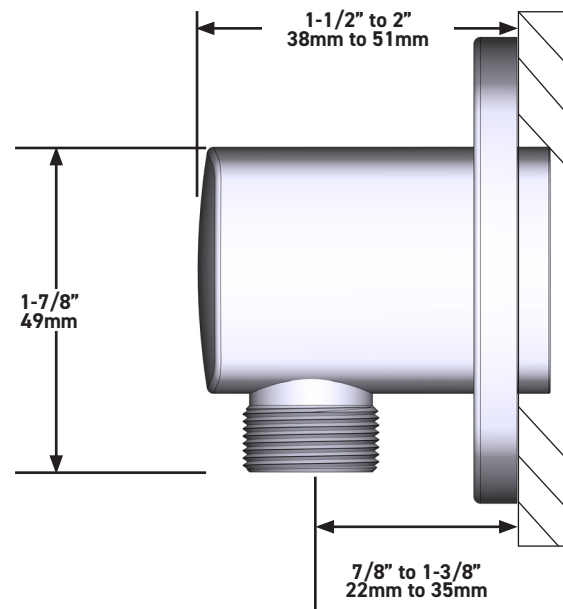
GARANTIE

- www.riobel.design



Wandanschlussbogen

MODELLE: R794-EM



+44 (0)1952 221 100
www.riobel.design

A DISTINCTIVE MEMBER OF THE HOUSE OF ROHL

CARACTÉRISTIQUES TECHNIQUES

LE KIT DE DOUCHE VENTY 323 COMPREND

- TVY23-EM - Habillage pour corps à encastrer mitigeur thermostatique 2 voies
- R23-EM - Corps à encastrer pour mitigeur thermostatique 2 voies
- R8045-EM - Barre de douche
- R495-EM - 20cm x 30cm (8" x 12") Tête de douche rectangulaire
- R594-EM - 40cm (16") Bras de douche
- R794-EM - Coude de raccordement mural

GARANTIE

- www.riobel.design



KIT323VYC-EM

+44 (0)1952 221 100
www.riobel.design

A DISTINCTIVE MEMBER OF THE HOUSE OF ROHL

CARACTÉRISTIQUES TECHNIQUES

DESCRIPTION

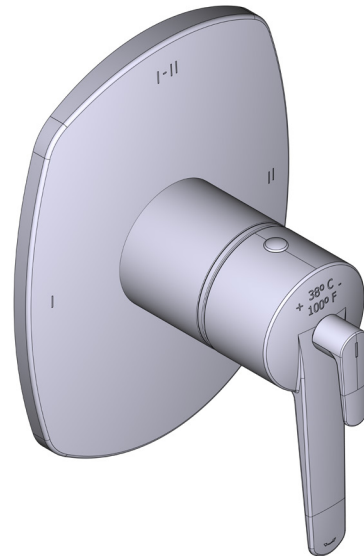
- Cartouche thermostatique coaxiale avec clapets anti-retour
- Plaque d'habillage seule
- R23-EM nécessite un corps d'encastrement pour compléter l'installation
- 4 positions (OFF, 1, 1 et 2, 2) partagées

DÉBIT

- 24 L/min, 60psi, 4 bar

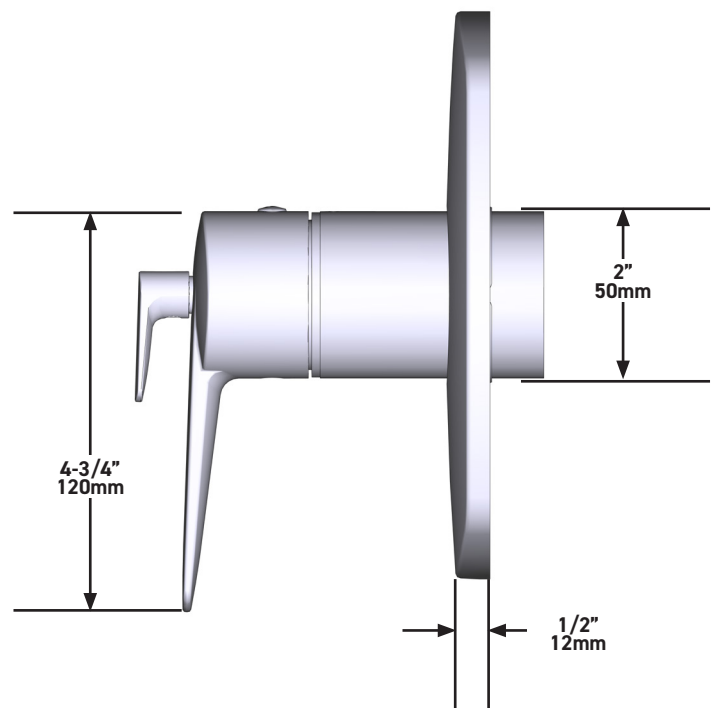
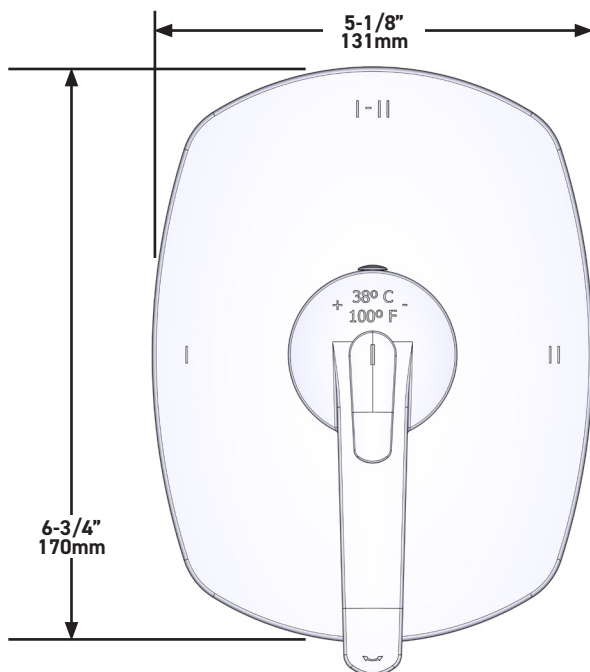
GARANTIE

- www.riobel.design



Habillage pour corps à encastrer mitigeur thermostatique 2 voies (T/P : cartouche thermostatique coaxiale avec équilibrage de pression)

MODÈLES: TVY23-EM



+44 (0)1952 221 100
www.riobel.design

A DISTINCTIVE MEMBER OF THE HOUSE OF ROHL

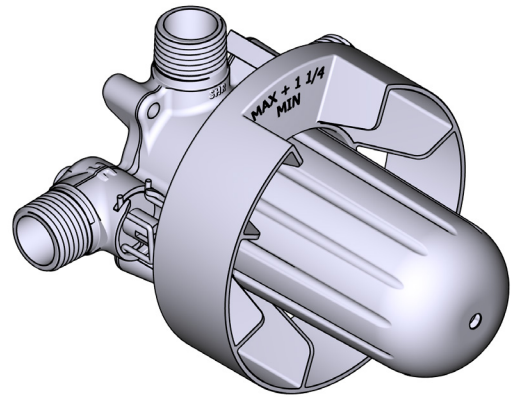
CARACTÉRISTIQUES TECHNIQUES

DESCRIPTION

- Bouchon pour essai
- Robinet d'arrêt
- Connexion mâle G1/2
- 2 G½" sorties
- TGS23-EM garniture requise pour terminer
- Rugueux seulement

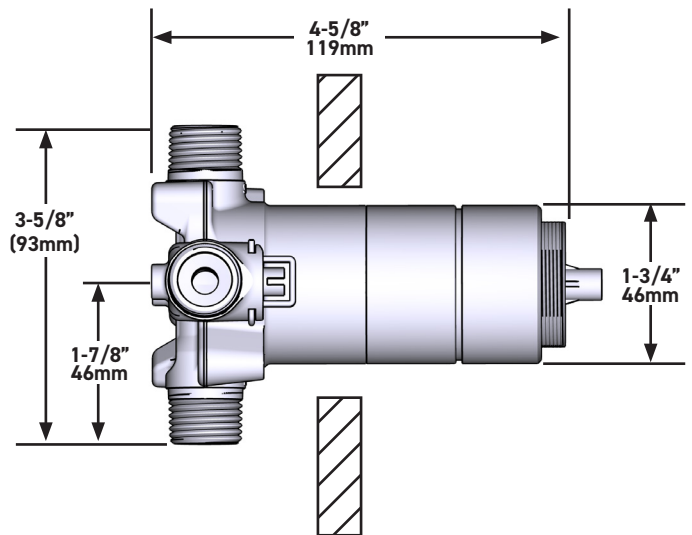
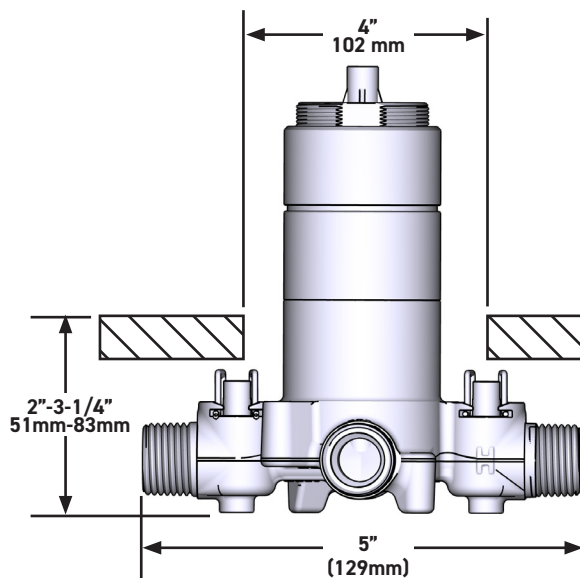
GARANTIE

- www.riobel.design



**Habillage pour corps à encastrer mitigeur
thermostatique 2 voies (T/P : cartouche
thermostatique coaxiale avec équilibrage
de pression)**

MODÈLES: R23-EM



+44 (0)1952 221 100
www.riobel.design

A DISTINCTIVE MEMBER OF THE HOUSE OF ROHL

CARACTÉRISTIQUES TECHNIQUES

DESCRIPTION

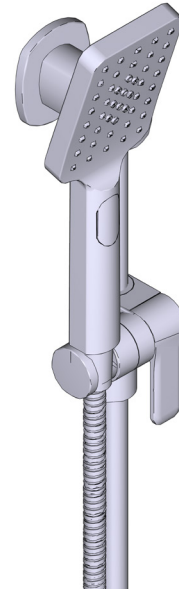
- Anticalcaire
- Flexible de douche double agrafage de 150 cm.
- Écrou tournant et 2 clapets anti-retour
- Ø19 mm (¾") barre de douche
- Douchette 2 jets
- Support coulissant, système "Easy Glide"

DÉBIT

- 7.6 L/min, 60 psi, 4 bar

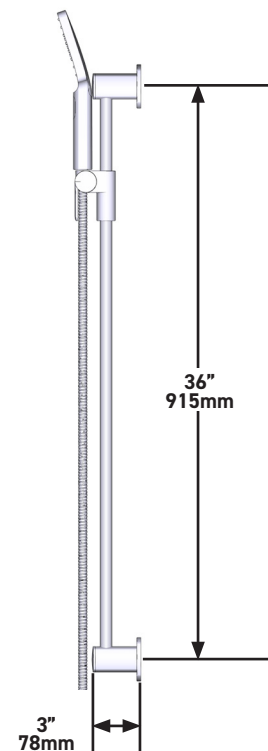
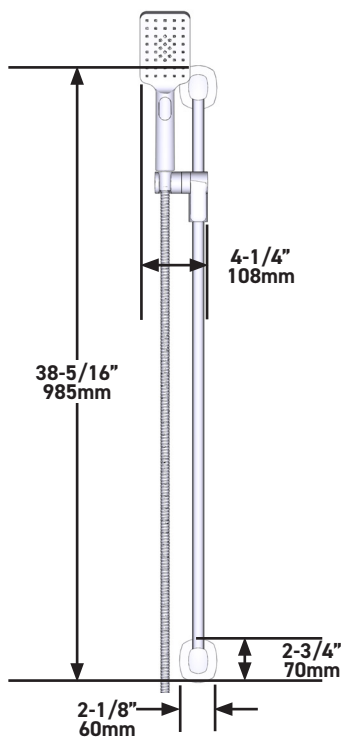
GARANTIE

- www.riobel.design



Barre de douche

MODÈLES: R8045-EM



+44 (0)1952 221 100
www.riobel.design

CARACTÉRISTIQUES TECHNIQUES

DESCRIPTION

- Orientable
- Anticalcaire
- Acier inoxydable
- Entrée G1/2" femelle

DÉBIT

- 7.6L/min, 60psi, 4 bar

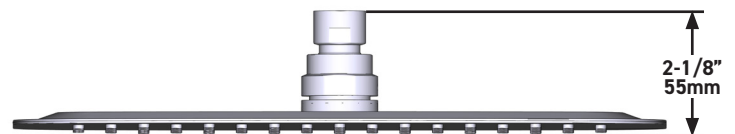
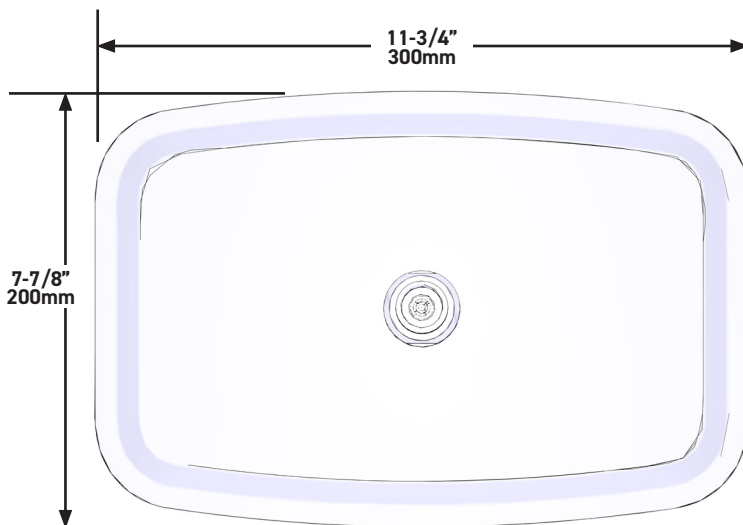
GARANTIE

- www.riobel.design



Tête de douche rectangulaire

MODÈLES: R495-EM



+44 (0)1952 221 100
www.riobel.design

A DISTINCTIVE MEMBER OF THE HOUSE OF ROHL

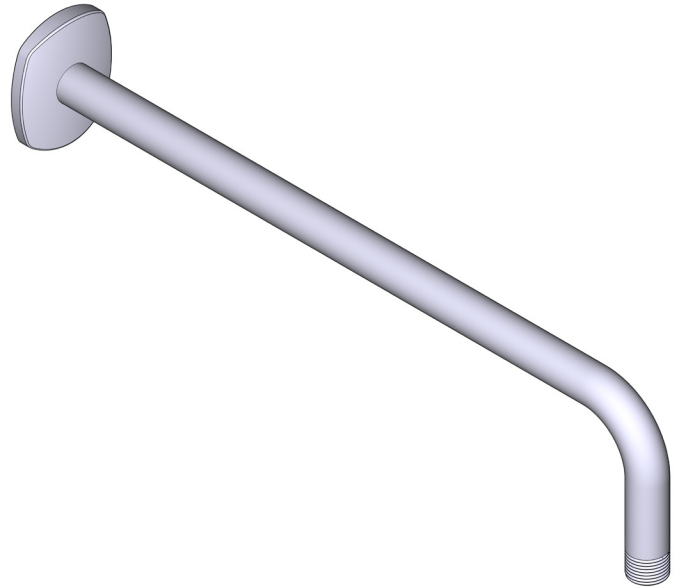
CARACTÉRISTIQUES TECHNIQUES

DESCRIPTION

- Connexion mâle G1/2
- Bras de douche avec vis de réglage

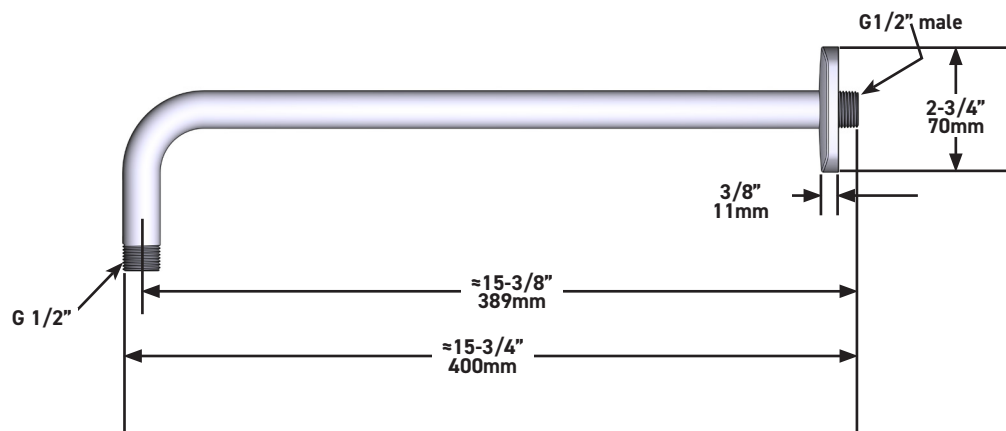
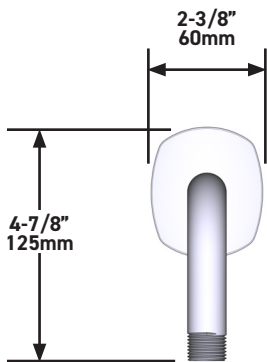
GARANTIE

- www.riobel.design



40 cm (16") Bras de douche

MODÈLES: R594-EM



+44 (0)1952 221 100
www.riobel.design

A DISTINCTIVE MEMBER OF THE HOUSE OF ROHL

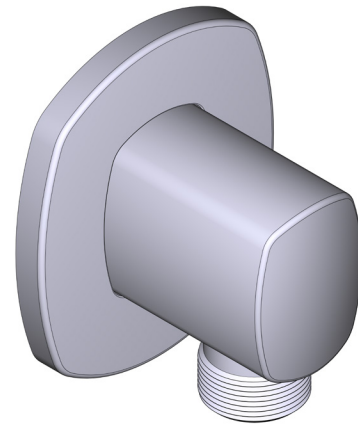
CARACTÉRISTIQUES TECHNIQUES

DESCRIPTION

- Entrée G1/2" femelle
- Raccord mâle-femelle G1/2"
- Profondeur réglable
- Sortie G1/2" mâle

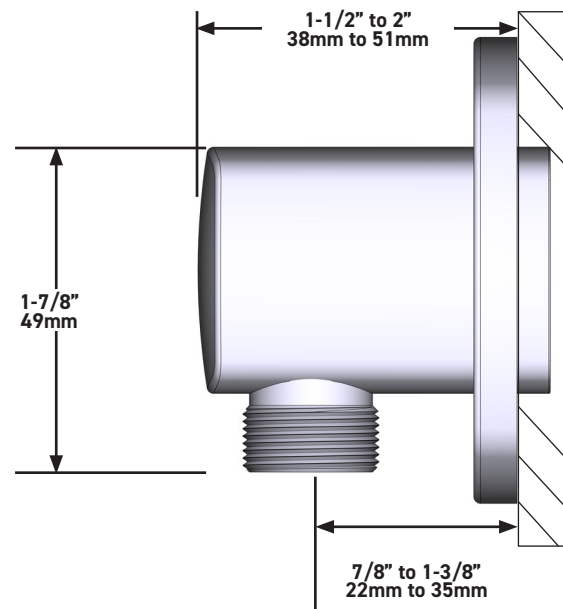
GARANTIE

- www.riobel.design



Coude de raccordement mural

MODÈLES: R794-EM



+44 (0)1952 221 100
www.riobel.design

A DISTINCTIVE MEMBER OF THE HOUSE OF ROHL

SPECIFICHE

IL KIT DOCCIA VENTY 323 INCLUDE

- TVY23-EM - Valvola coassiale 2 vie di tipo T/P parte esterna
- R23-EM - Valvola coassiale 2 vie di tipo T/P parte interna
- R8045-EM - Asta doccia
- R495-EM - 20cm x 30cm (8" x 12") Soffione doccia rettangolare
- R594-EM - 40cm (16") Braccio doccia
- R794-EM - Raccordo a gomito

GARANZIA

- www.riobel.design



KIT323VYC-EM

+44 (0)1952 221 100
www.riobel.design

A DISTINCTIVE MEMBER OF THE HOUSE OF ROHL

SPECIFICHE

DESCRIZIONE

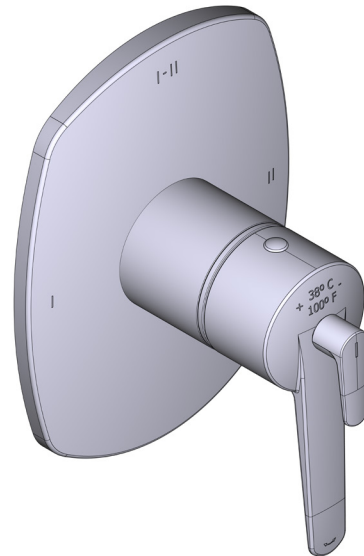
- Cartuccia coassiale con valvole di controllo Termostatica/pressione
- Solo parte esterna
- Parte interna necessaria per R23-EM
- 4 posizioni (off, 1, 1+2, 2)

FLUSSO

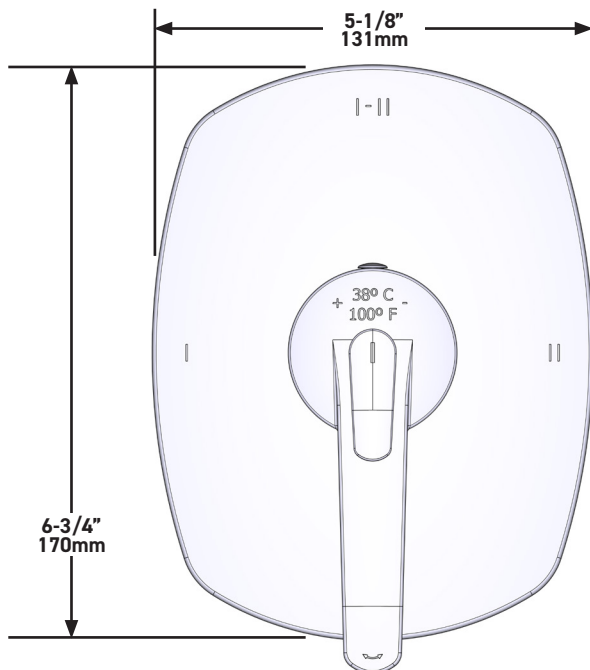
- 24 L/min, 60psi, 4 bar

GARANZIA

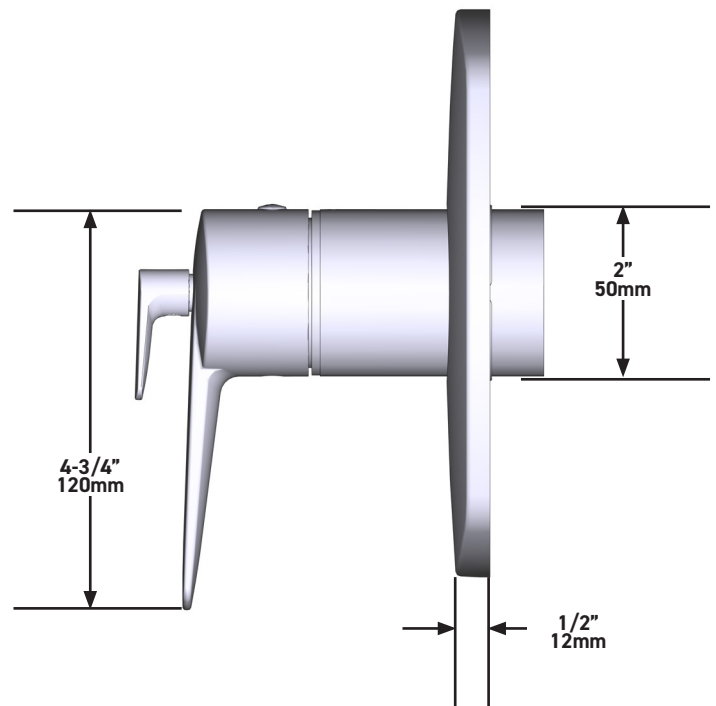
- www.riobel.design



Valvola coassiale 2 vie di tipo T/P parte esterna



MODELLI: TVY23-EM



+44 (0)1952 221 100
www.riobel.design

A DISTINCTIVE MEMBER OF THE HOUSE OF ROHL

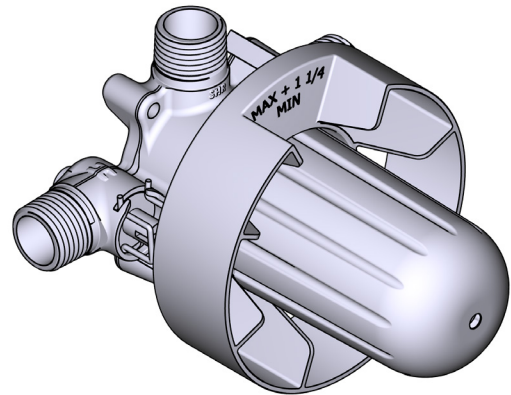
SPECIFICHE

DESCRIZIONE

- Tappo di sicurezza
- Valvola di servizio
- G1/2" congiunzione maschio
- Two G½" uscite
- TGS23-EM trim necessario per completare
- Solo ruvido

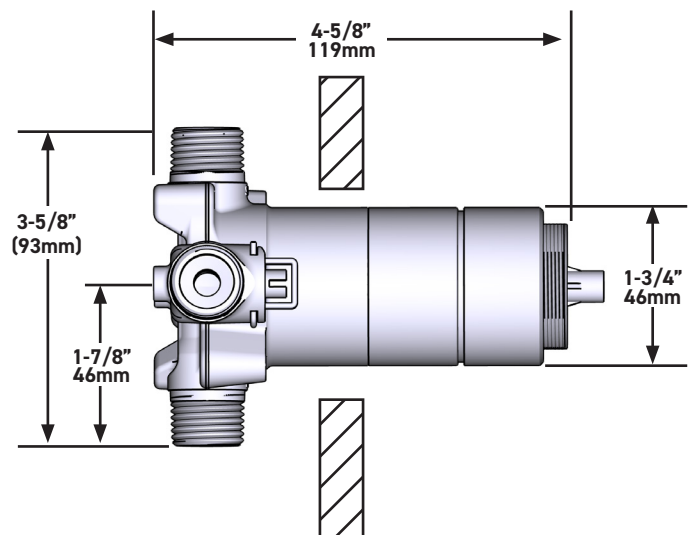
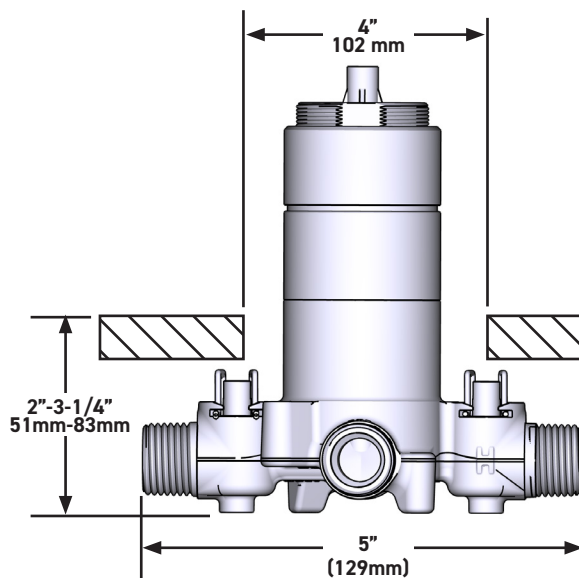
GARANZIA

- www.riobel.design



Valvola coassiale 2 vie di tipo T/P parte esterna

MODELLI: R23-EM



+44 (0)1952 221 100
www.riobel.design

A DISTINCTIVE MEMBER OF THE HOUSE OF ROHL

SPECIFICHE

DESCRIZIONE

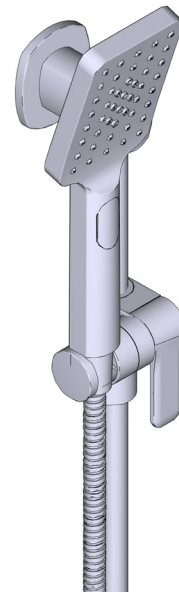
- Ugelli facili da pulire
- Tubo flessibile doccia 150cm con snodo e 2 valvole
- Ø19 mm (¾") asta doccia
- Doccetta con doppio getto
- Cursore sinistro Easy-Glide

FLUSSO

- 7.6 L/min, 60 psi, 4 bar

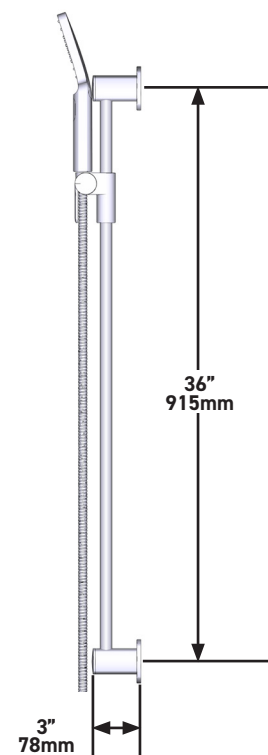
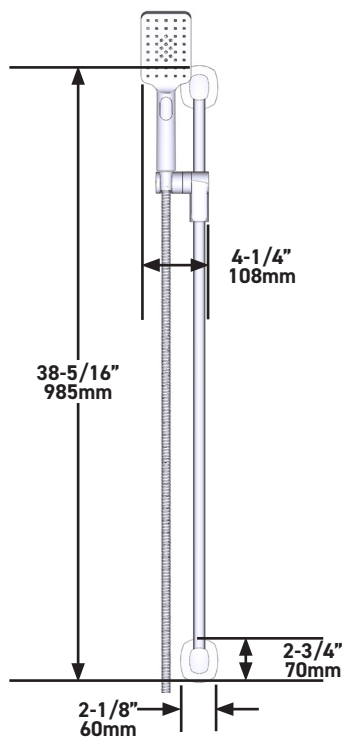
GARANZIA

- www.riobel.design



Asta doccia

MODELLI: R8045-EM



+44 (0)1952 221 100
www.riobel.design

SPECIFICHE

DESCRIZIONE

- Girevole
- Ugelli facili da pulire
- Acciaio
- G1/2" ingresso femmina

FLUSSO

- 7.6L/min, 60psi, 4 bar

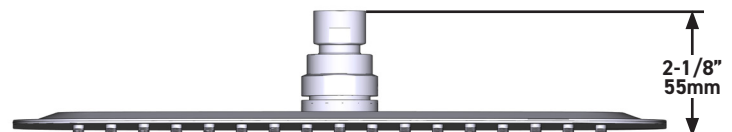
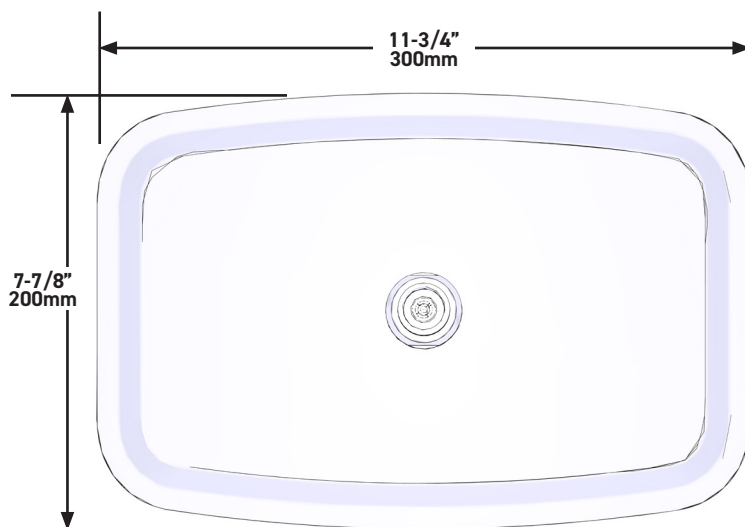
GARANZIA

- www.riobel.design



Soffione doccia rettangolare

MODELLI: R495-EM



+44 (0)1952 221 100
www.riobel.design

A DISTINCTIVE MEMBER OF THE HOUSE OF ROHL

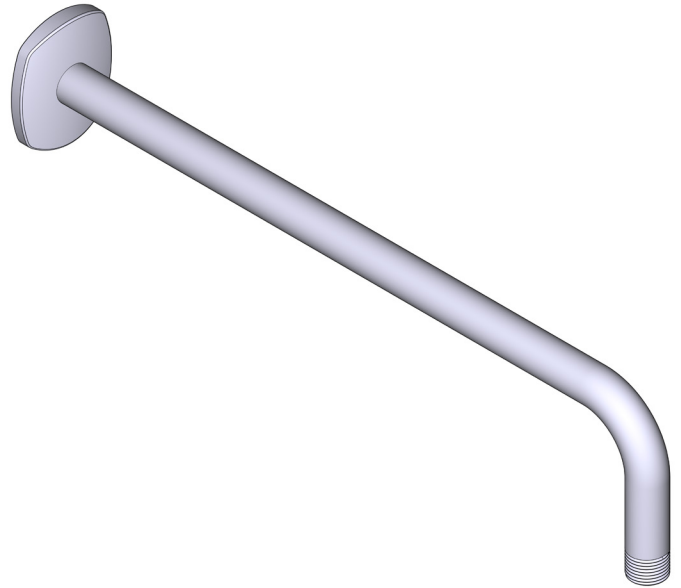
SPECIFICHE

DESCRIZIONE

- G1/2" congiunzione maschio
- Braccio doccia con vite regolabile

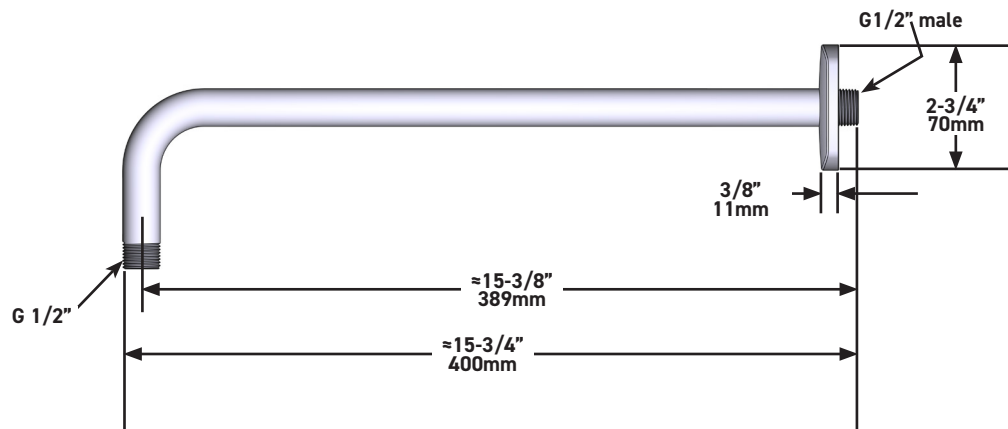
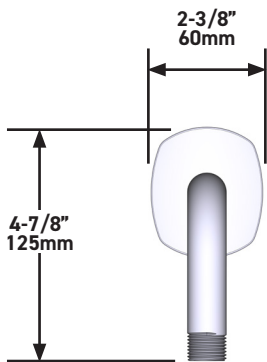
GARANZIA

- www.riobel.design



40 cm (16") Braccio doccia

MODELLI: R594-EM



+44 (0)1952 221 100
www.riobel.design

A DISTINCTIVE MEMBER OF THE HOUSE OF ROHL

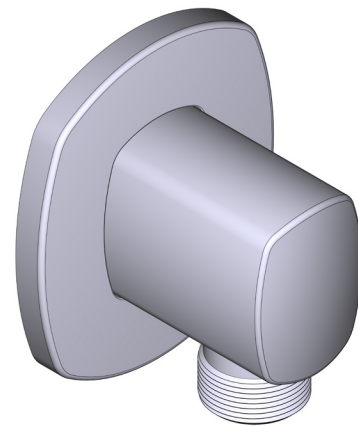
SPECIFICHE

DESCRIZIONE

- G1/2" ingresso femmina
- Attacco G1/2" in dotazione
- Profondità variabile
- G1/2" uscita maschio

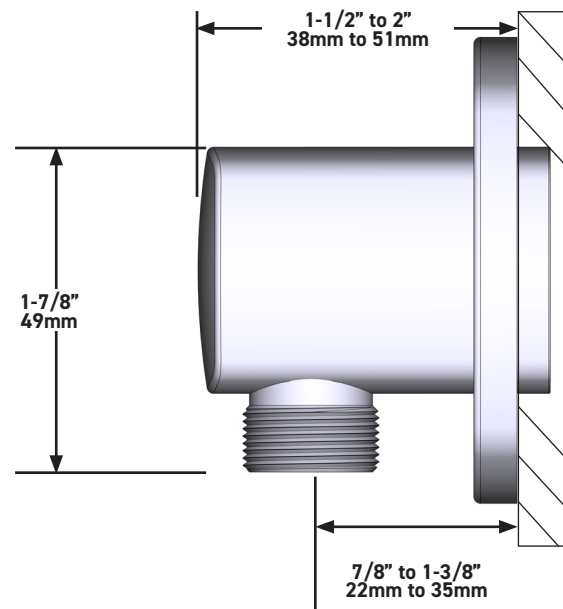
GARANZIA

- www.riobel.design



Raccordo a gomito

MODELLI: R794-EM



+44 (0)1952 221 100
www.riobel.design

A DISTINCTIVE MEMBER OF THE HOUSE OF ROHL

CARACTERÍSTICAS TÉCNICAS

EL KIT DE DUCHA VENTY 323 INCLUYE

- TVY23-EM - Conjunto embellecedor para cuerpo termostático de 2 vías
- R23-EM - Cuerpo empotrado para mezclador termostático de 2 vías
- R8045-EM - Barra de ducha
- R495-EM - 20cm x 30cm (8" x 12") Rociador de ducha rectangular
- R594-EM - 40cm (16") Brazo de ducha
- R794-EM - Codo de salida de pared

GARANTÍA

- www.riobel.design



KIT323VYC-EM

+44 (0)1952 221 100
www.riobel.design

A DISTINCTIVE MEMBER OF THE HOUSE OF ROHL

CARACTERÍSTICAS TÉCNICAS

DESCRIPCIÓN

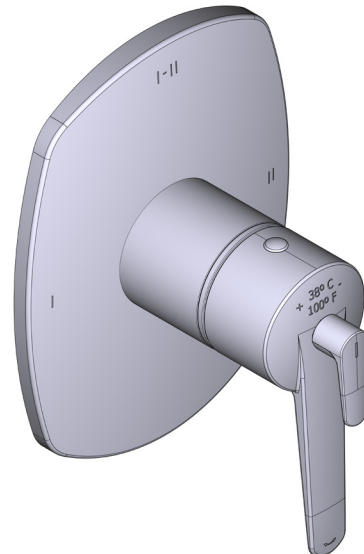
- Cartucho termostático coaxial con válvulas anti retorno
- Solo placa embellecedora
- R23-EM cuerpo empotrado requerido para completar la instalación
- 4 posiciones (OFF, 1, 1 y 2) compartidas

Caudal

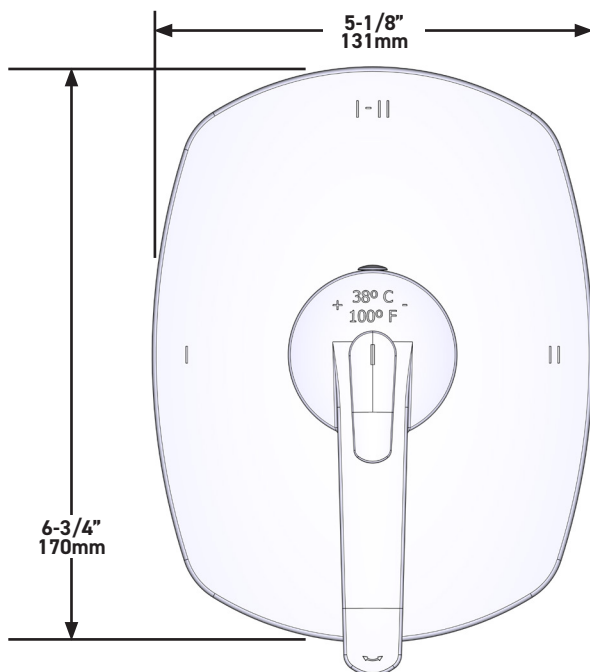
- 24 L/min, 60psi, 4 bar

GARANTÍA

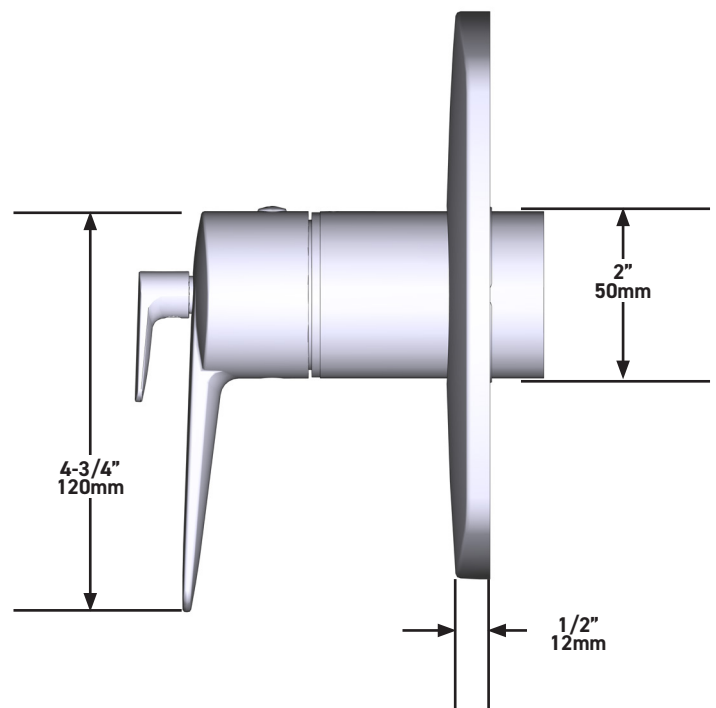
- www.riobel.design



Conjunto embellecedor para cuerpo termostático de 2 vías (T/P: cartucho termostático coaxial con equilibrador de presión)



MODELOS: TVY23-EM



+44 (0)1952 221 100
www.riobel.design

A DISTINCTIVE MEMBER OF THE HOUSE OF ROHL

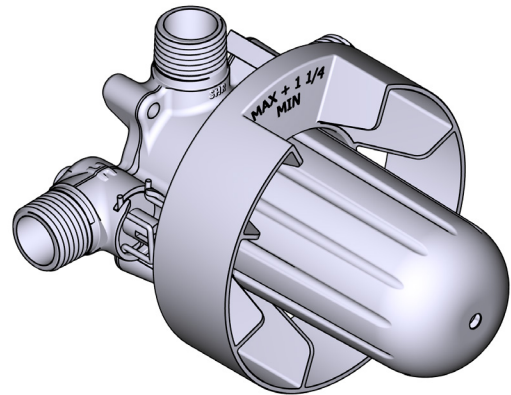
CARACTERÍSTICAS TÉCNICAS

DESCRIPCIÓN

- Tapón de prueba
- Llave de paso
- Conexión macho G1/2"
- Two G½" salidas
- TGS23-EM recorte requerido para completar
- Solo áspero

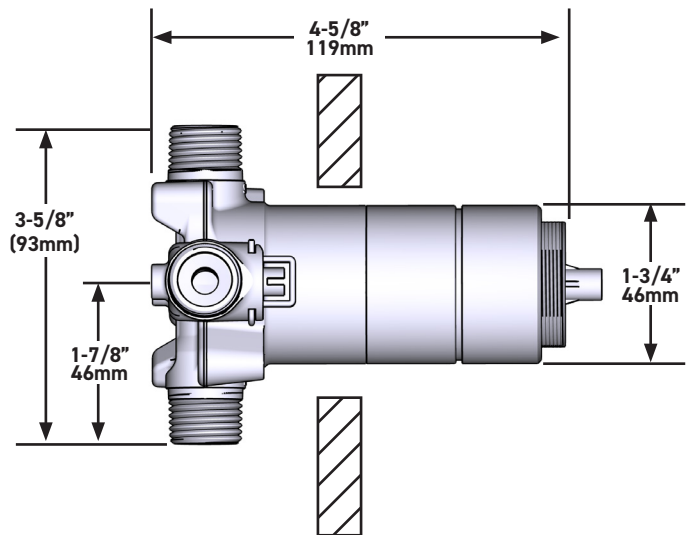
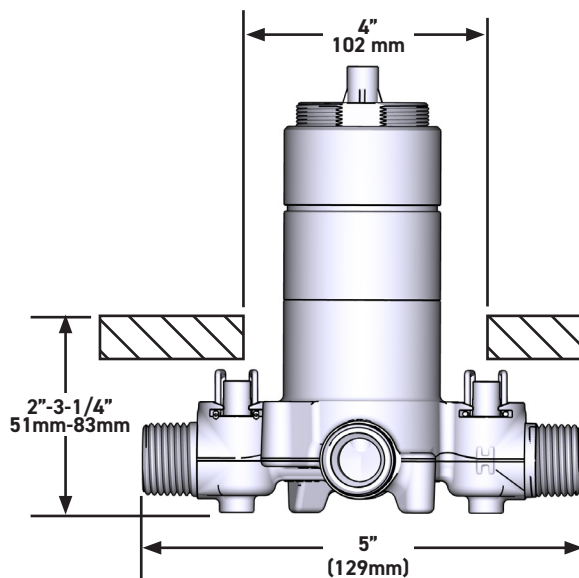
GARANTÍA

- www.riobel.design



Conjunto embellecedor para cuerpo termostático de 2 vías (T/P: cartucho termostático coaxial con equilibrador de presión)

MODELOS: R23-EM



+44 (0)1952 221 100
www.riobel.design

A DISTINCTIVE MEMBER OF THE HOUSE OF ROHL

CARACTERÍSTICAS TÉCNICAS

DESCRIPCIÓN

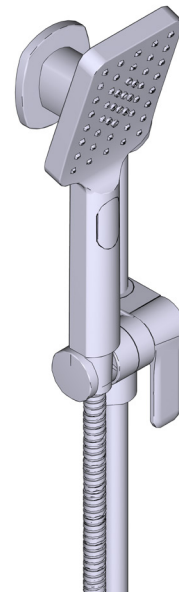
- Anticalcárea
- Flexo de ducha reforzado de 150 cm.
- Tuerca giratoria y 2 válvulas anti retorno
- Ø19 mm (¾") barra de ducha
- Ducha de mano 2 jets
- Soporte deslizante, sistema "Easy Glide"

Caudal

- 7.6 L/min, 60 psi, 4 bar

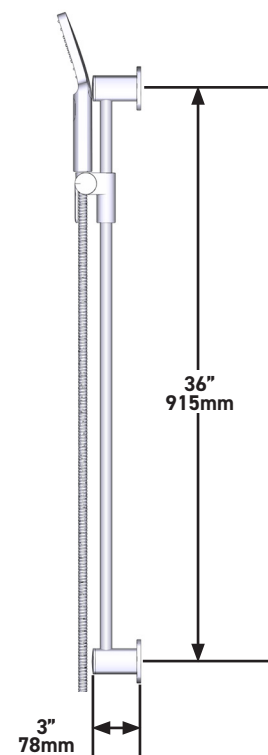
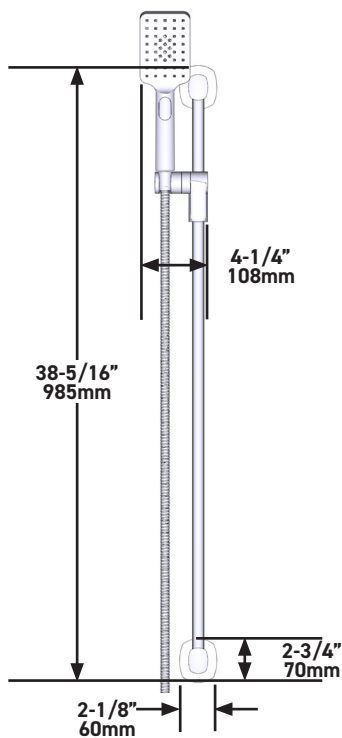
GARANTÍA

- www.riobel.design



Barra de ducha

MODELOS: R8045-EM



+44 (0)1952 221 100
www.riobel.design

CARACTERÍSTICAS TÉCNICAS

DESCRIPCIÓN

- Orientable
- Anticalcárea
- Acero inoxidable
- Entrada G1/2" hembra

Caudal

- 7.6L/min, 60psi, 4 bar

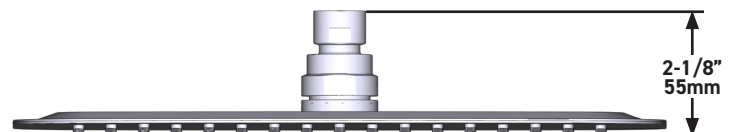
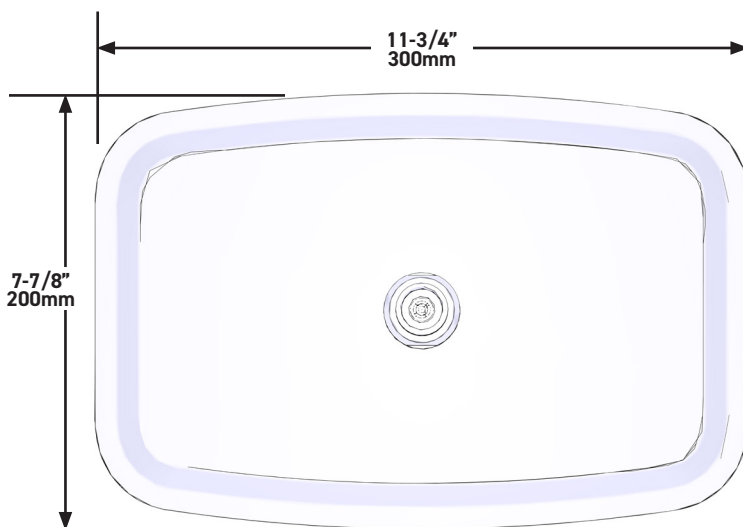
GARANTÍA

- www.riobel.design



Rociador de ducha rectangular

MODELOS: R495-EM



+44 (0)1952 221 100
www.riobel.design

A DISTINCTIVE MEMBER OF THE HOUSE OF ROHL

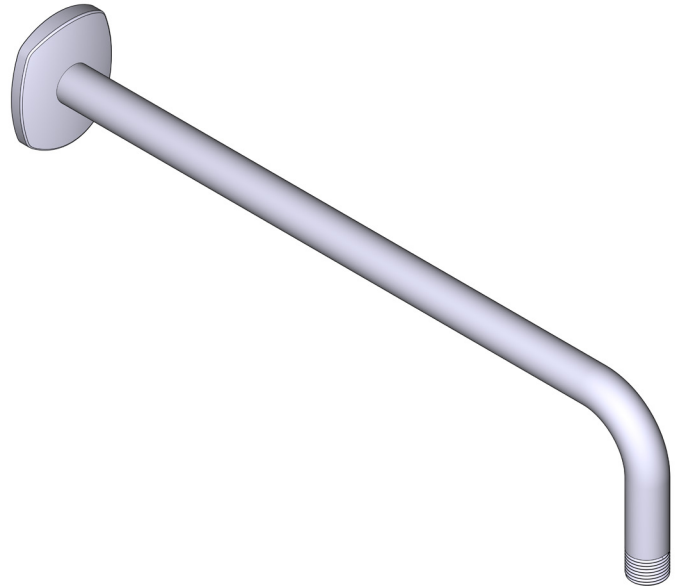
CARACTERÍSTICAS TÉCNICAS

DESCRIPCIÓN

- Conexión macho G1/2"
- Brazo de ducha con tornillo de fijación

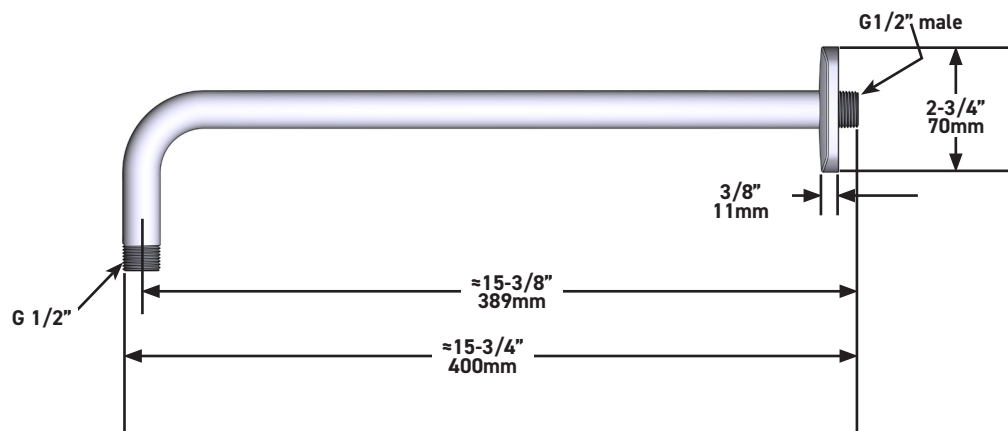
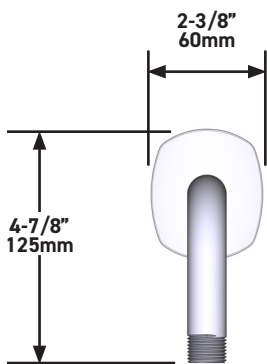
GARANTÍA

- www.riobel.design



40 cm (16") Brazo de ducha

MODELOS: R594-EM



+44 (0)1952 221 100
www.riobel.design

A DISTINCTIVE MEMBER OF THE HOUSE OF ROHL

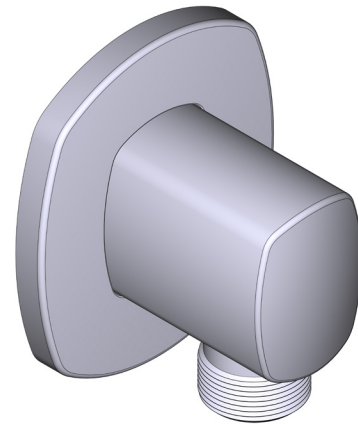
CARACTERÍSTICAS TÉCNICAS

DESCRIPCIÓN

- Entrada hembra G1/2"
- Racor macho-hembra G1/2"
- Profundidad regulable
- Salida macho G1/2"

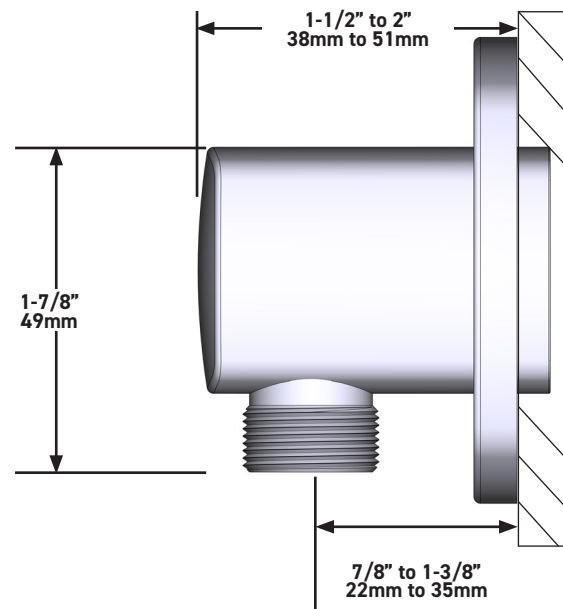
GARANTÍA

- www.riobel.design



Codo de salida de pared

MODELOS: R794-EM



+44 (0)1952 221 100
www.riobel.design

A DISTINCTIVE MEMBER OF THE HOUSE OF ROHL