

SPECIFICATIONS

THE PARABOLA 323 SHOWER KIT INCLUDES

- TPB23C-EM - 2-way Type T/P Coaxial Valve Trim
- R23-EM - 2-way Type T/P Coaxial Valve Rough
- R4878C-EM - Shower Rail
- R503C-EM - 40cm (16") Shower Arm
- R468C-EM - 20cm (8") Shower Head
- R710C-EM - Elbow Supply

WARRANTY

- www.riobel.design



KIT323PB-EM

+44 (0)1952 221 100
www.riobel.design

A DISTINCTIVE MEMBER OF THE HOUSE OF ROHL

SPECIFICATIONS

DESCRIPTION

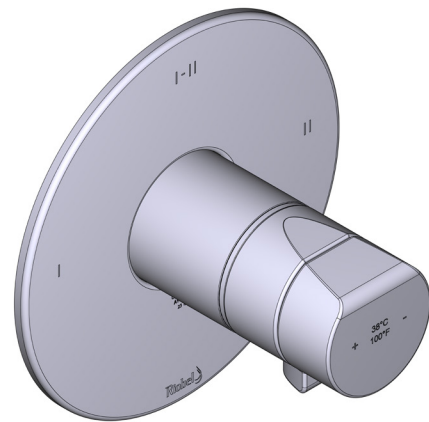
- 4 positions (OFF, 1, 1 and 2, 2) share
- Thermostatic/pressure balance coaxial cartridge with check valves
- R23-EM rough required to complete
- Trim only

FLOW

- 24 L/min, 60psi, 4 bar

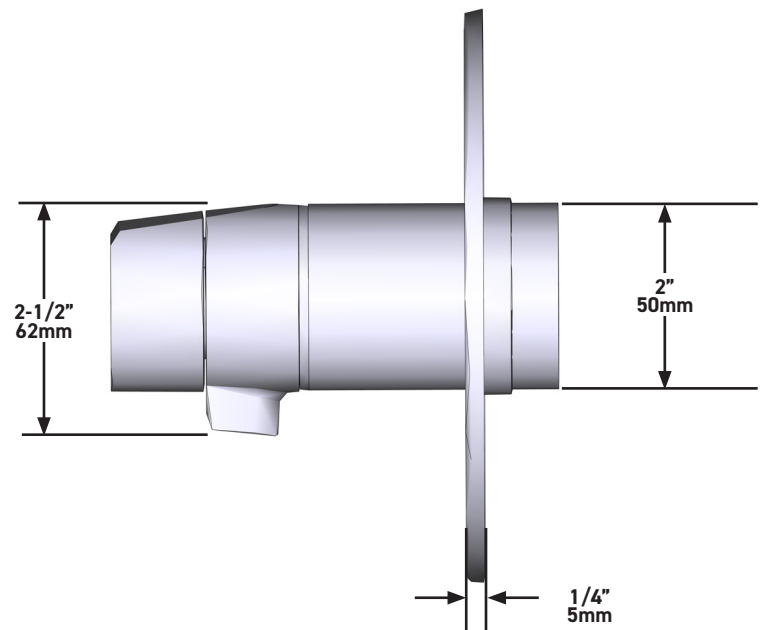
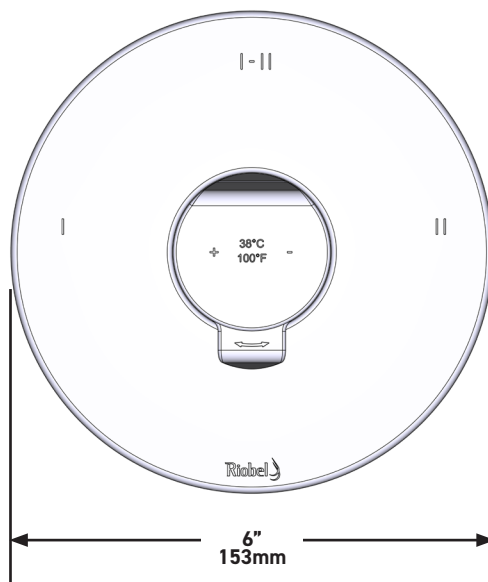
WARRANTY

- www.riobel.design



2-way Type T/P Coaxial Valve Trim

MODELS: TPB23-EM



+44 (0)1952 221 100
www.riobel.design

A DISTINCTIVE MEMBER OF THE HOUSE OF ROHL

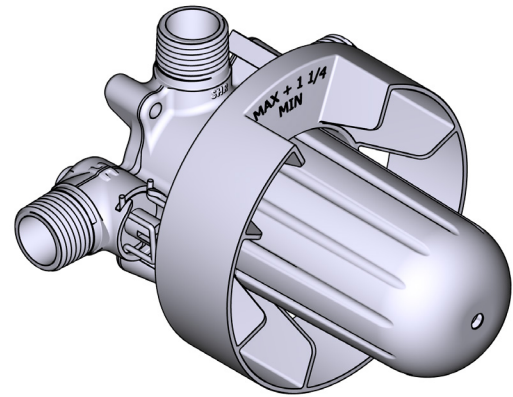
SPECIFICATIONS

DESCRIPTION

- Test cap
- Service valves
- G 1/2" male inlets
- Two G 1/2" outlets
- TGS23-EM trim required to complete
- Rough only

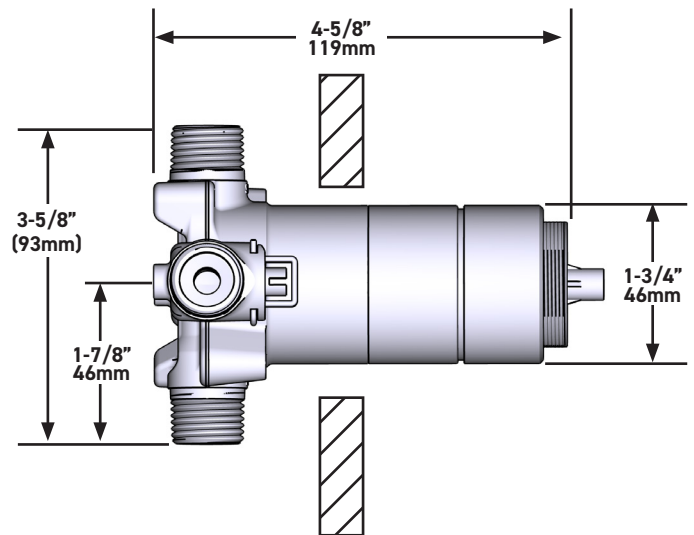
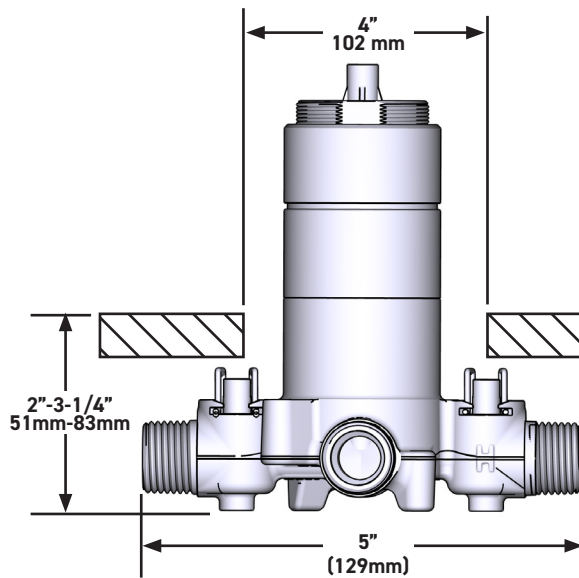
WARRANTY

- www.riobel.design



2-Way Type T/P Coaxial Valve Rough

MODELS: R23-EM



+44 (0)1952 221 100
www.riobel.design

A DISTINCTIVE MEMBER OF THE HOUSE OF ROHL

SPECIFICATIONS

DESCRIPTION

- Easy-Glide left cursor
- 150 cm (59") double interlock flexible hose, swivel and 2 check valves
- Easy clean
- Multifunction easy clean hand shower

FLOW

- 6.7 L/min, 60psi, 4 bar

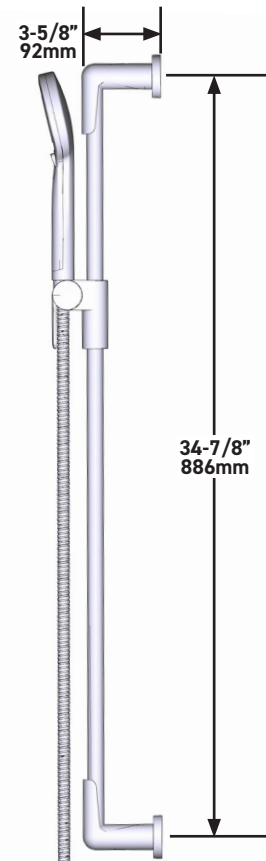
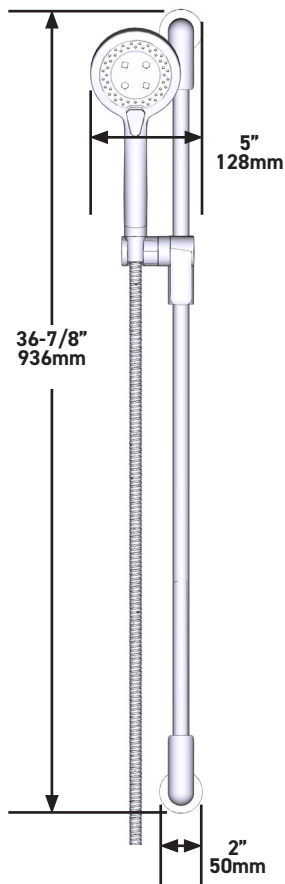
WARRANTY

- www.riobel.design



Shower Rail

MODELS: R4878-EM



+44 (0)1952 221 100
www.riobel.design

A DISTINCTIVE MEMBER OF THE HOUSE OF ROHL

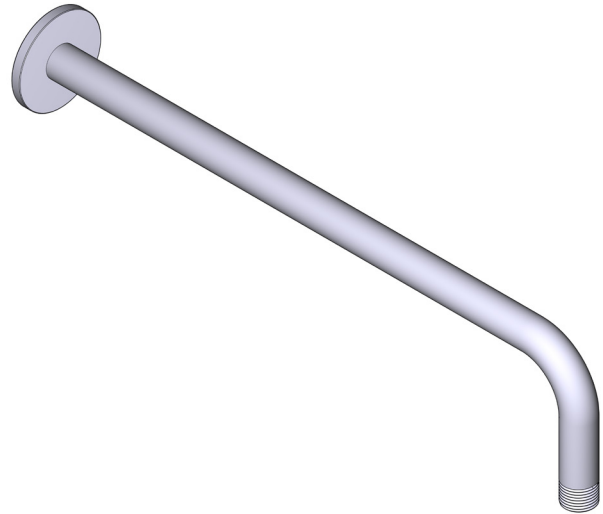
SPECIFICATIONS

DESCRIPTION

- G1/2" male connection
- Round rosette

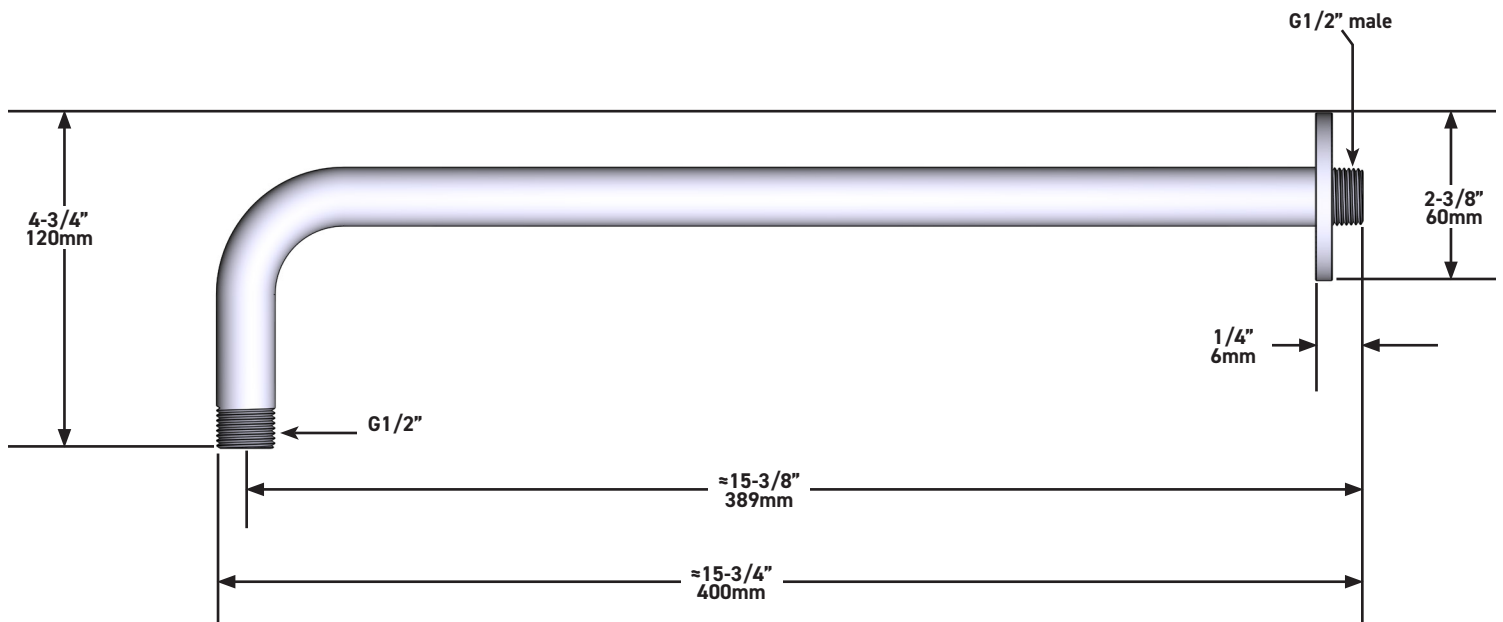
WARRANTY

- www.riobel.design



40cm (16") Shower Arm

MODELS: R503-EM



+44 (0)1952 221 100
www.riobel.design

A DISTINCTIVE MEMBER OF THE HOUSE OF ROHL

SPECIFICATIONS

DESCRIPTION

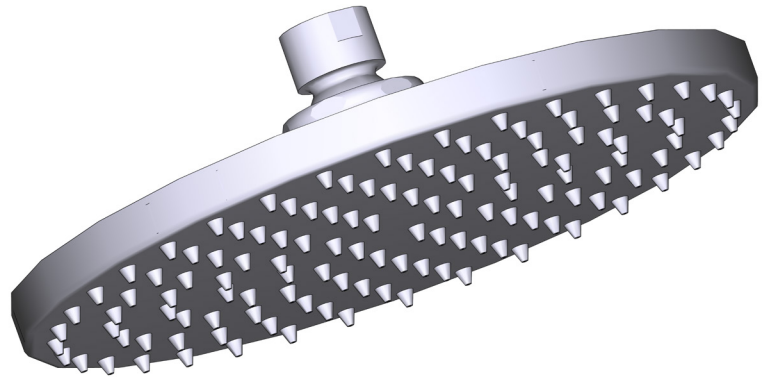
- Easy clean
- G½" inlet female
- Swivel

FLOW

- 24 L/min, 60psi, 4 bar

WARRANTY

- www.riobel.design



8" (20cm) Shower Head

MODELS: R468C-EM

+44 (0)1952 221 100
www.riobel.design

A DISTINCTIVE MEMBER OF THE HOUSE OF ROHL

SPECIFICATIONS

DESCRIPTION

- G1/2" female inlet
- G1/2" shank supplied
- Adjustable depth
- G1/2" outlet male

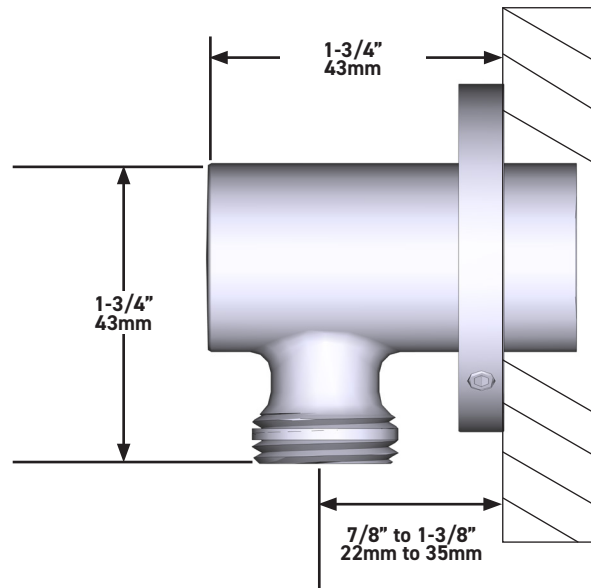
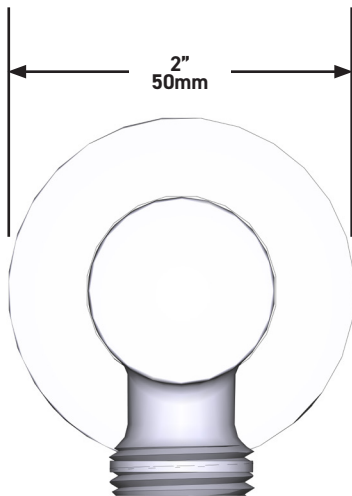
WARRANTY

- www.riobel.design



Elbow Supply

MODELS: R710-EM



+44 (0)1952 221 100
www.riobel.design

A DISTINCTIVE MEMBER OF THE HOUSE OF ROHL

TECHNISCHE DATEN

DAS DUSCHSYSTEM PARABOLA 323 ENTHÄLT

- TPB23C-EM - 2-Wege Einbau-Ventil T/P Sichtteil, beide Strahlarten gleichzeitig nutzbar
- R23-EM - 2-Wege Einbau-Ventil T/P UP-Teil
- R4878C-EM - Brausestange
- R503C-EM - 40cm (16") Brausearm
- R468C-EM - 20cm (8") Kopfbrause
- R710C-EM - Wandanschlussbogen

GARANTIE

- www.riobel.design



KIT323PB-EM

+44 (0)1952 221 100
www.riobel.design

A DISTINCTIVE MEMBER OF THE HOUSE OF ROHL

TECHNISCHE DATEN

BESCHREIBUNG

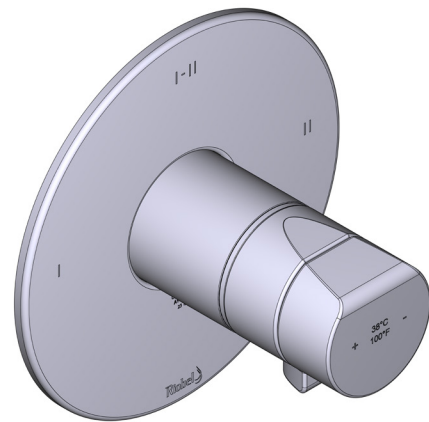
- 4 Positionen (Aus, 1, 1 und 2, 2) kann zusammen genutzt werden
- Thermostat/Druckausgleichs-Kartusche mit Rückschlagventilen
- R23-EM UP-Teil obligatorisch
- Nur Sichtteile

DURCHFLUSSMENGE

- 24 L/min, 60psi, 4 bar

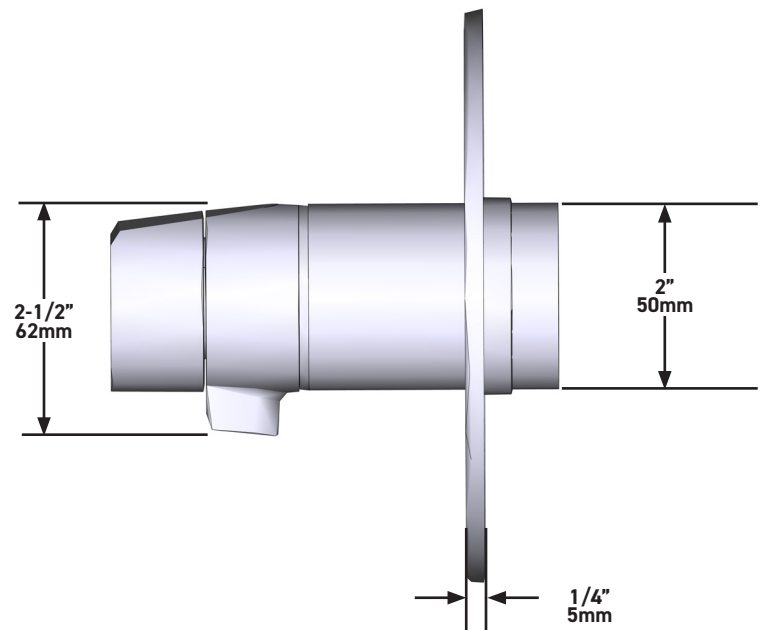
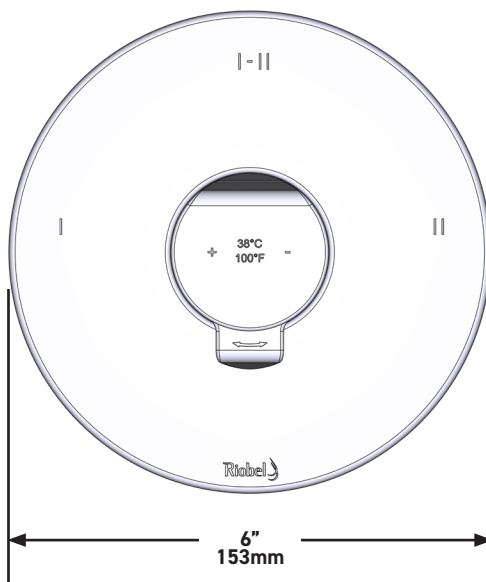
GARANTIE

- www.riobel.design



**2-Wege Einbau-Ventil T/P
Sichtteil ,beide Strahlarten
gleichzeitig nutzbar**

MODELLE: TPB23-EM



+44 (0)1952 221 100
www.riobel.design

A DISTINCTIVE MEMBER OF THE HOUSE OF ROHL

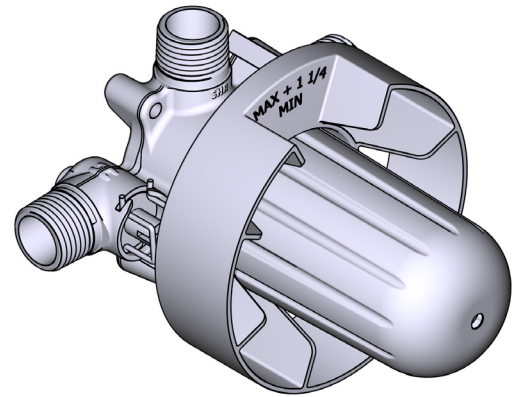
TECHNISCHE DATEN

BESCHREIBUNG

- Prüfkappe
- Service-Ventil
- G 1/2" Verbindung Aussengewinde
- 2 G 1/2" Aussengewindes
- TGS23-EM Zuschneiden erforderlich, um abzuschliessen
- Nur grob

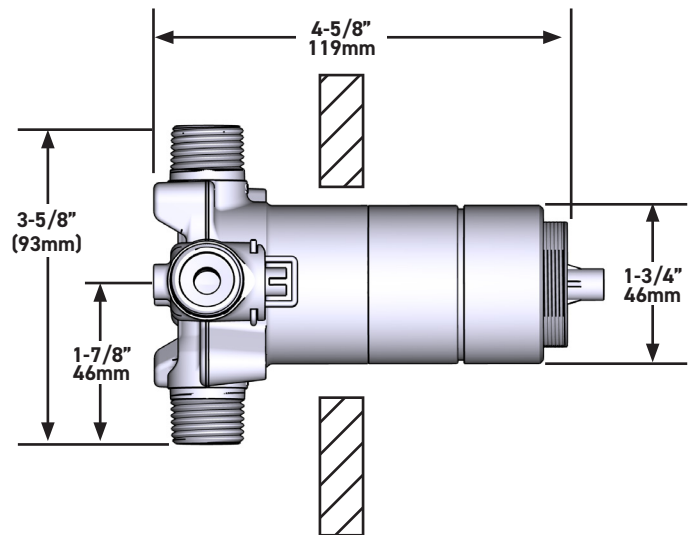
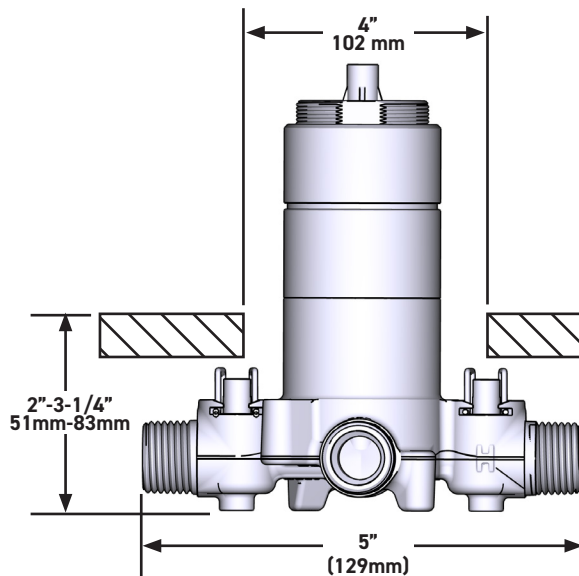
GARANTIE

- www.riobel.design



**2-Wege Einbau-Ventil T/P Sichtteil ,
beide Strahlarten gleichzeitig nutzbar**

MODELLE: R23-EM



+44 (0)1952 221 100
www.riobel.design

A DISTINCTIVE MEMBER OF THE HOUSE OF ROHL

TECHNISCHE DATEN

BESCHREIBUNG

- "Easy-Glide" Brausehalter
- 150 cm flexibler, doppelwandiger Schlauch mit Drehgelenk und 2 Anschlüssen
- Easy-Clean-Noppen
- Zweistahl-Handbrause

DURCHFLUSSMENGE

- 6.7 L/min, 60psi, 4 bar

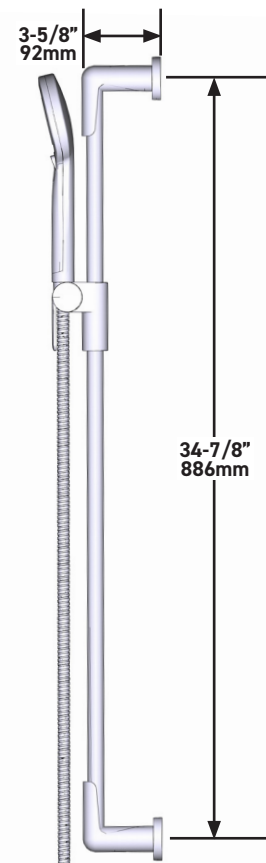
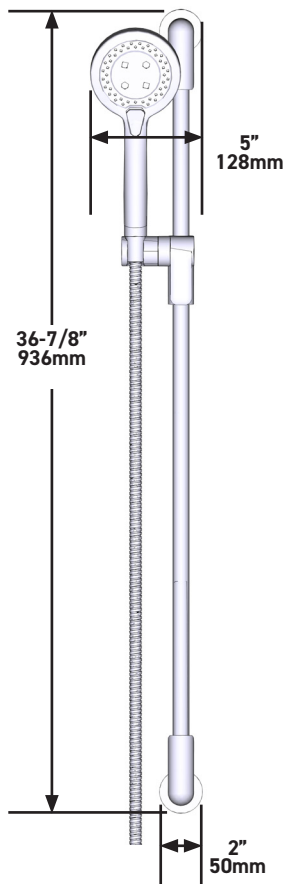
GARANTIE

- www.riobel.design



Brausestange

MODELLE: R4878-EM



+44 (0)1952 221 100
www.riobel.design

A DISTINCTIVE MEMBER OF THE HOUSE OF ROHL

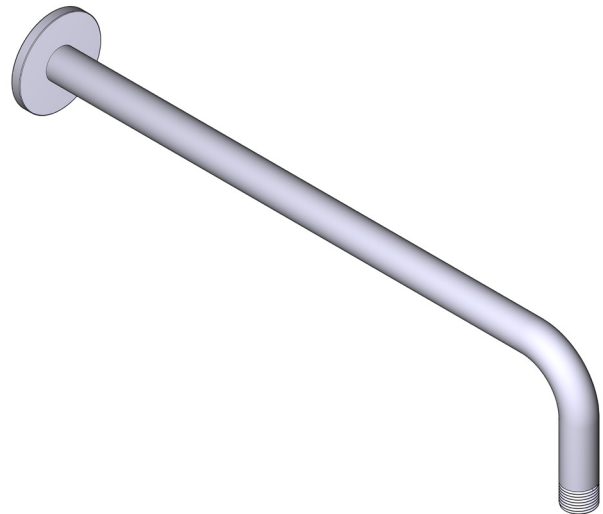
TECHNISCHE DATEN

BESCHREIBUNG

- G 1/2" Verbindung Aussengewinde
- Rosette rund

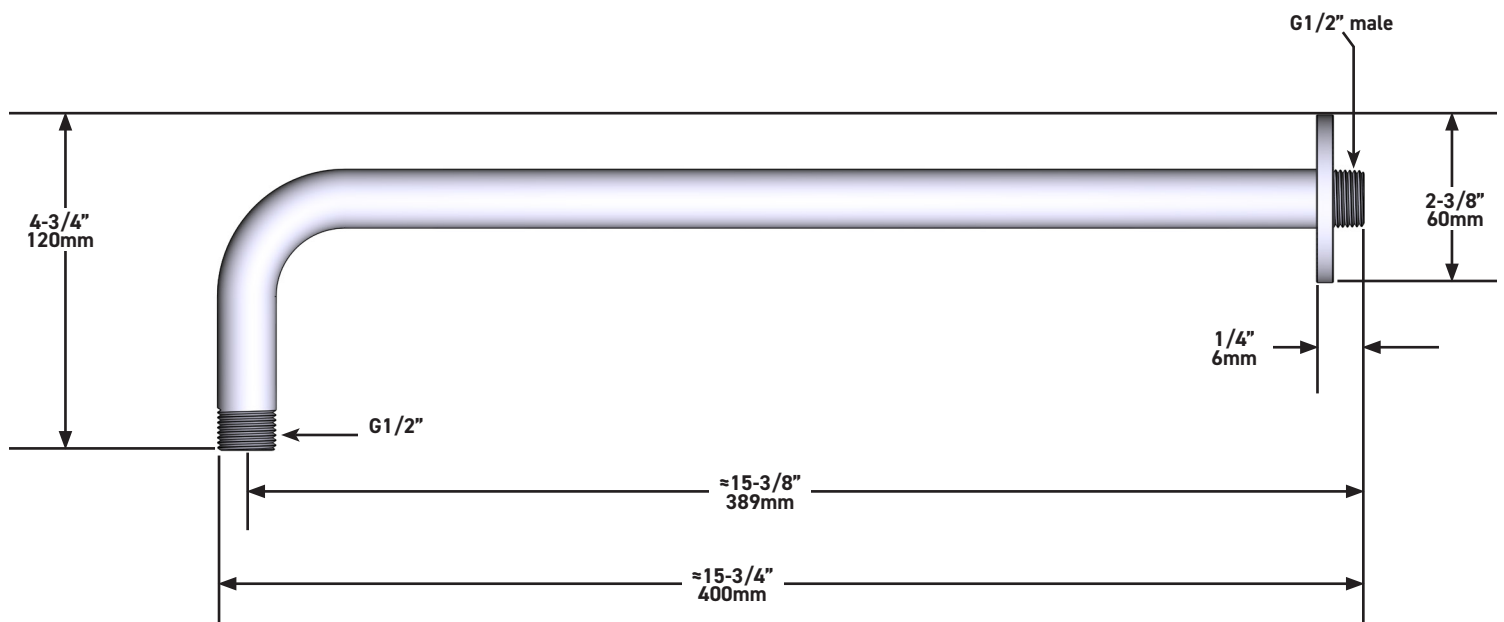
GARANTIE

- www.riobel.design



40cm (16") Brausearm

MODELLE: R503-EM



+44 (0)1952 221 100
www.riobel.design

A DISTINCTIVE MEMBER OF THE HOUSE OF ROHL

TECHNISCHE DATEN

BESCHREIBUNG

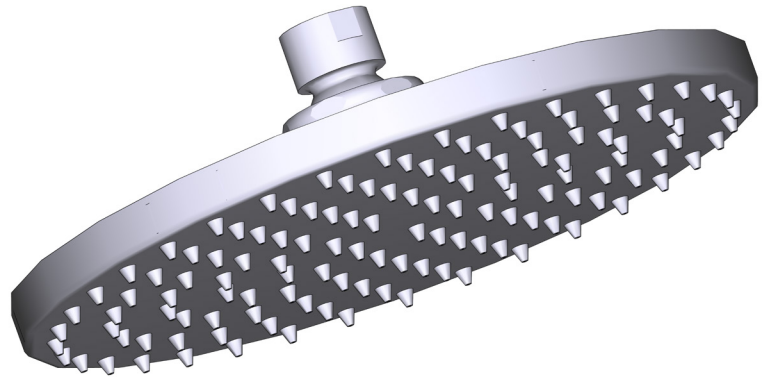
- Easy-Clean-Noppen
- G ½" Einlass Innengewinde
- Drehbar

DURCHFLUSSMENGE

- 24 L/min, 60psi, 4 bar

GARANTIE

- www.riobel.design



8" (20cm) Shower Head

MODELLE: R468C-EM

+44 (0)1952 221 100
www.riobel.design

A DISTINCTIVE MEMBER OF THE HOUSE OF ROHL

TECHNISCHE DATEN

BESCHREIBUNG

- G1/2" Einlass Innengewinde
- G1/2" Adapter im Lieferumfang
- Einstellbare Tiefe
- G1/2" Auslass Aussengewinde

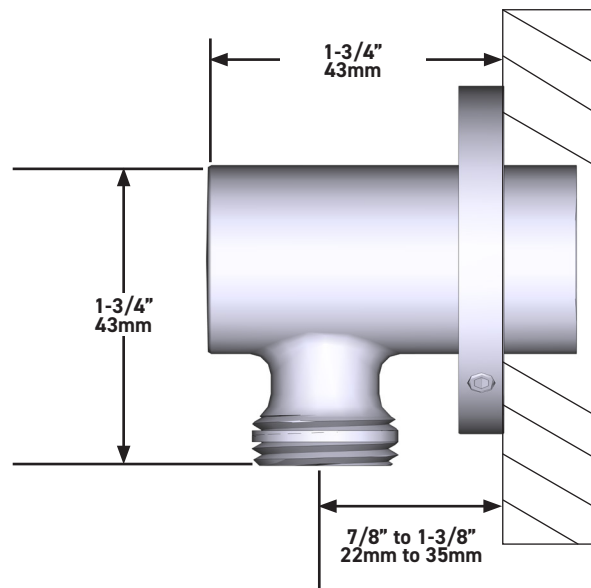
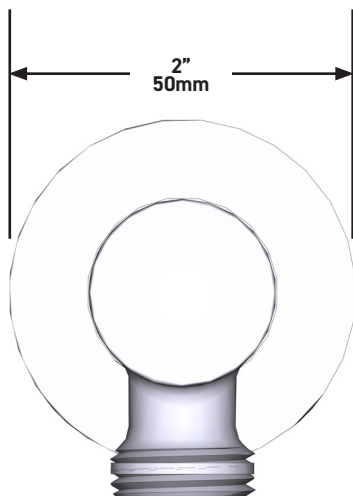
GARANTIE

- www.riobel.design



Wandanschlussbogen

MODELLE: R710-EM



+44 (0)1952 221 100
www.riobel.design

A DISTINCTIVE MEMBER OF THE HOUSE OF ROHL

CARACTÉRISTIQUES TECHNIQUES

LE KIT DE DOUCHE PARABOLA 323 COMPREND

- TPB23C-EM - Habillage pour corps à encastrer mitigeur thermostatique 2 voies
- R23-EM - Corps à encastrer pour mitigeur thermostatique 2 voies
- R4878C-EM - Barre de douche
- R503C-EM - 40cm (16") Bras de douche
- R468C-EM - 20cm (8") Douche de tête
- R710C-EM - Coude de raccordement mural

GARANTIE

- www.riobel.design



KIT323PB-EM

+44 (0)1952 221 100
www.riobel.design

A DISTINCTIVE MEMBER OF THE HOUSE OF ROHL

CARACTÉRISTIQUES TECHNIQUES

DESCRIPTION

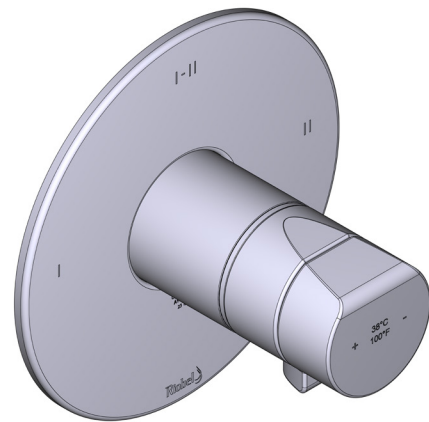
- 4 positions (OFF, 1, 1 et 2, 2) partagées
- Cartouche thermostatique coaxiale avec clapets anti-retour
- R23-EM nécessite un corps d'encastrement pour compléter l'installation
- Plaque d'habillage seule

DÉBIT

- 24 L/min, 60psi, 4 bar

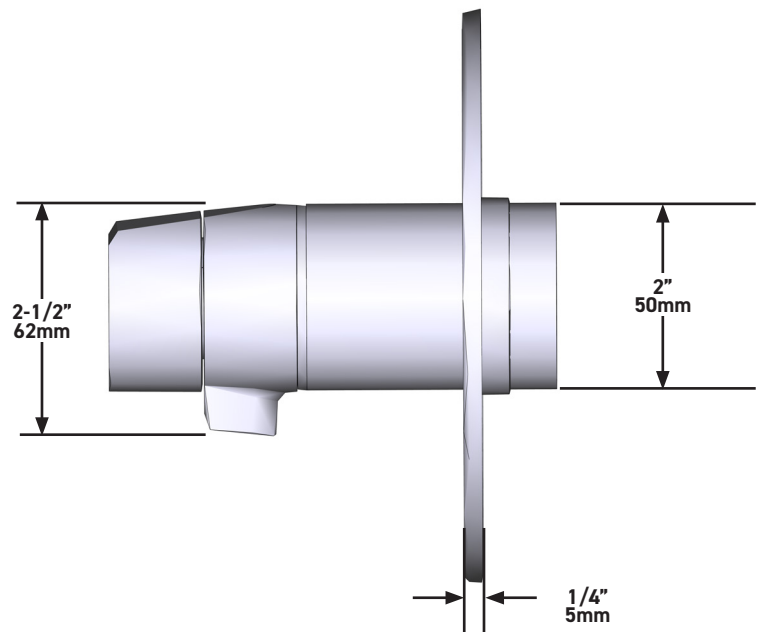
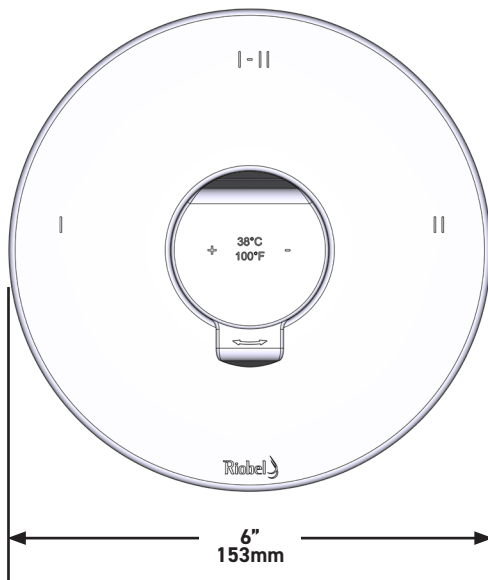
GARANTIE

- www.riobel.design



**Habillage pour corps à encastrer
mitigeur thermostatique 2 voies
(T/P : cartouche thermostatique
coaxiale avec équilibrage de pression)**

MODÈLES: TPB23-EM



+44 (0)1952 221 100
www.riobel.design

A DISTINCTIVE MEMBER OF THE HOUSE OF ROHL

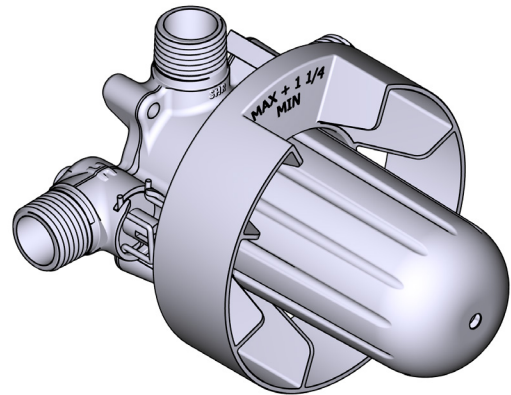
CARACTÉRISTIQUES TECHNIQUES

DESCRIPTION

- Bouchon pour essai
- Robinet d'arrêt
- Connexion mâle G1/2
- 2 G½" sorties
- TGS23-EM garniture requise pour terminer
- Rugueux seulement

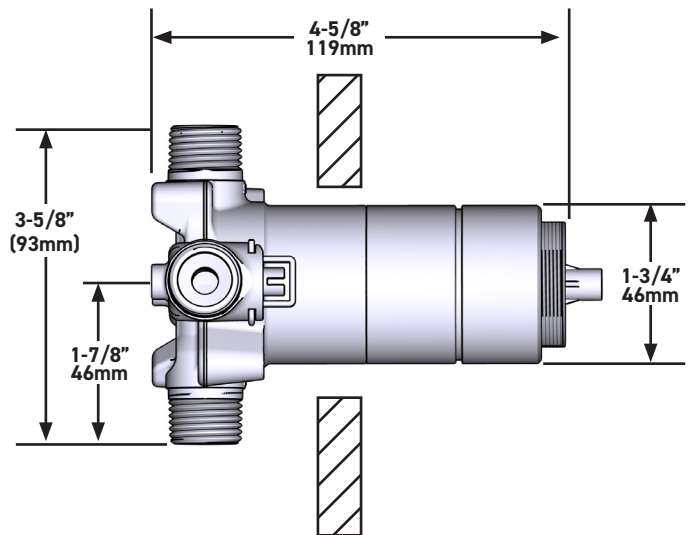
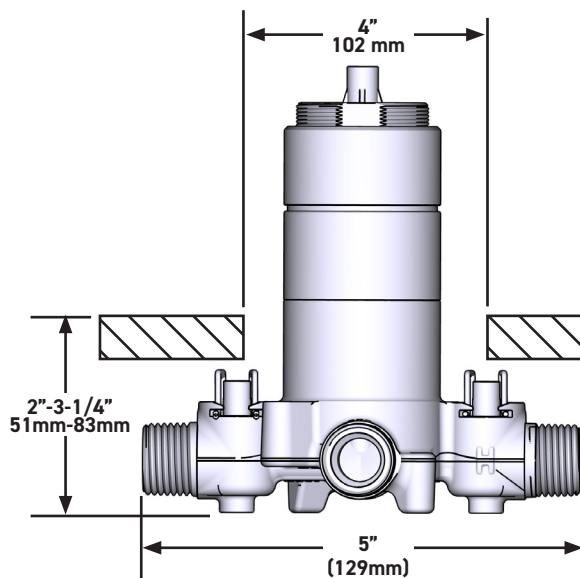
GARANTIE

- www.riobel.design



**Habillage pour corps à encastrer mitigeur
thermostatique 2 voies (T/P : cartouche
thermostatique coaxiale avec équilibrage
de pression)**

MODÈLES: R23-EM



+44 (0)1952 221 100
www.riobel.design

A DISTINCTIVE MEMBER OF THE HOUSE OF ROHL

CARACTÉRISTIQUES TECHNIQUES

DESCRIPTION

- Support coulissant, système "Easy Glide"
- Flexible de douche double agrafage de 150 cm.
Écrou tournant et 2 clapets anti-retour
- Anticalcaire
- Douchette 2 jets

DÉBIT

- 6.7 L/min, 60psi, 4 bar

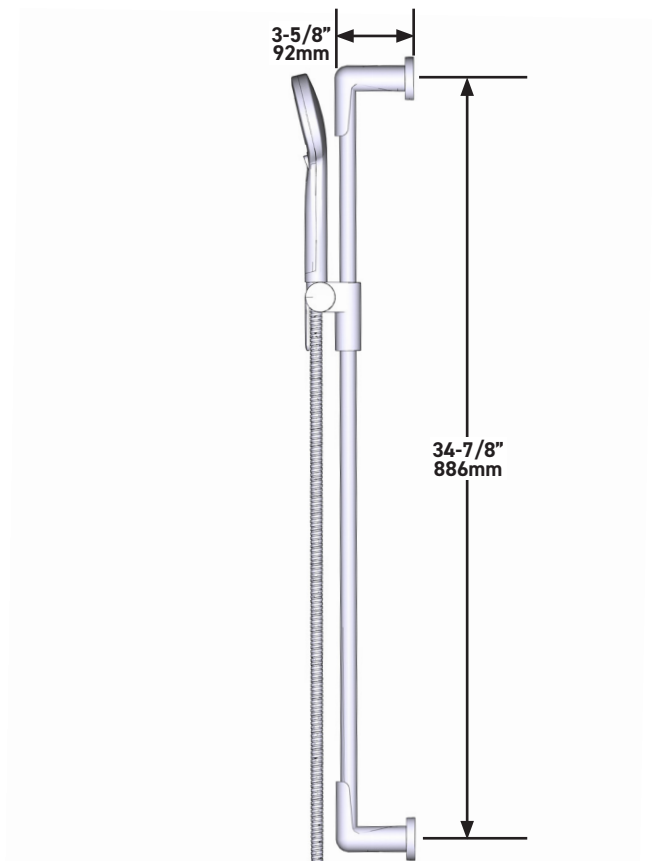
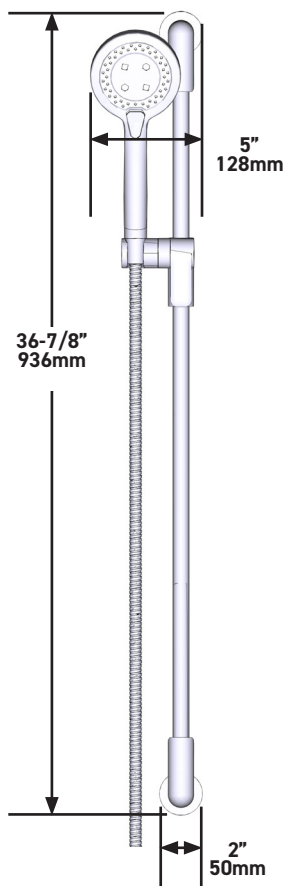
GARANTIE

- www.riobel.design



Barre de douche

MODÈLES: R4878-EM



+44 (0)1952 221 100
www.riobel.design

A DISTINCTIVE MEMBER OF THE HOUSE OF ROHL

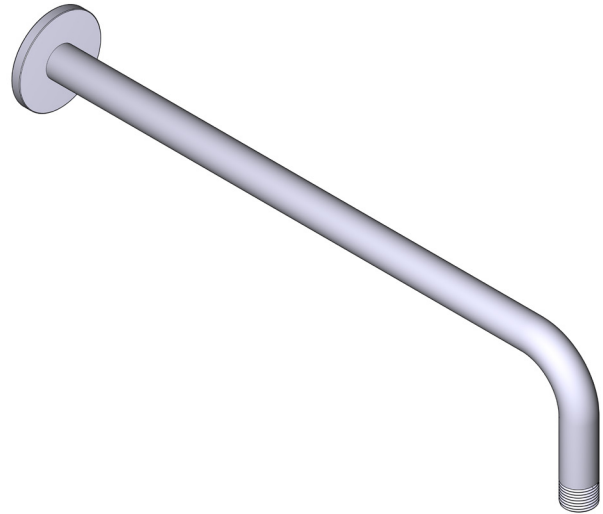
CARACTÉRISTIQUES TECHNIQUES

DESCRIPTION

- Connexion mâle G1/2
- Rosace ronde

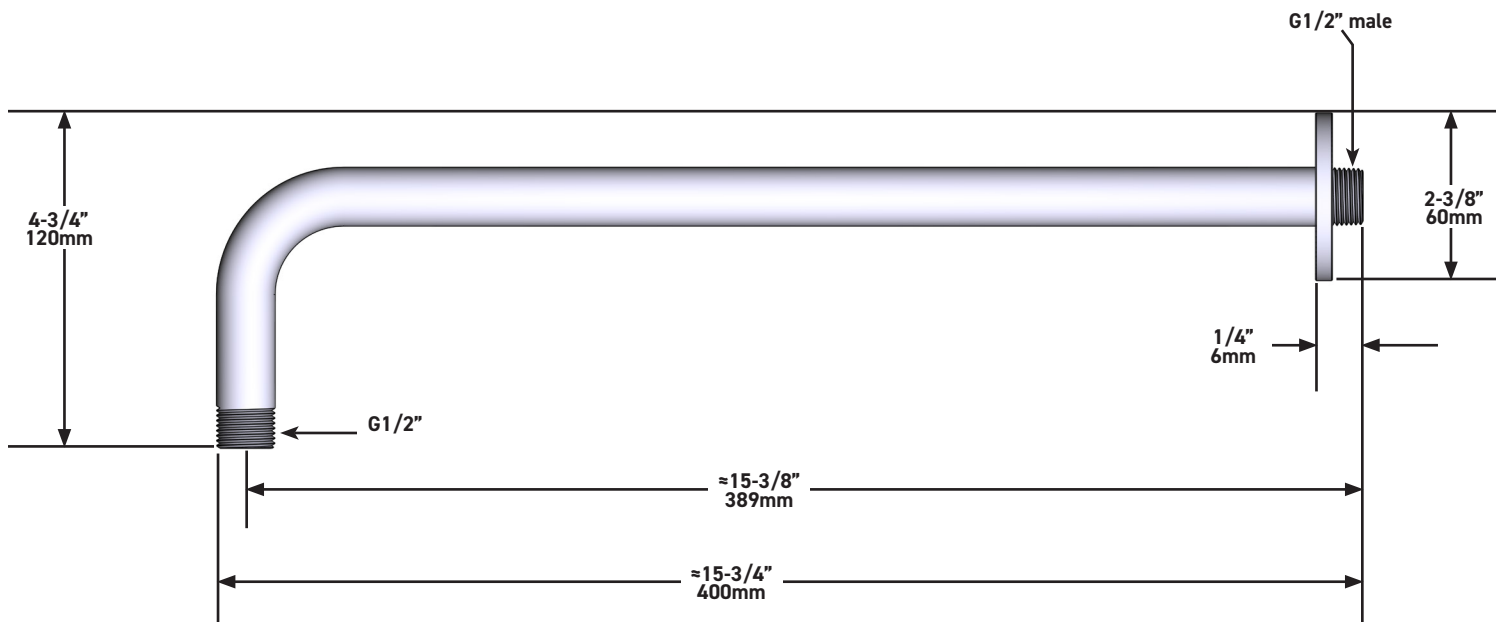
GARANTIE

- www.riobel.design



40cm (16") Bras de douche

MODÈLES: R503-EM



+44 (0)1952 221 100
www.riobel.design

A DISTINCTIVE MEMBER OF THE HOUSE OF ROHL

CARACTÉRISTIQUES TECHNIQUES

DESCRIPTION

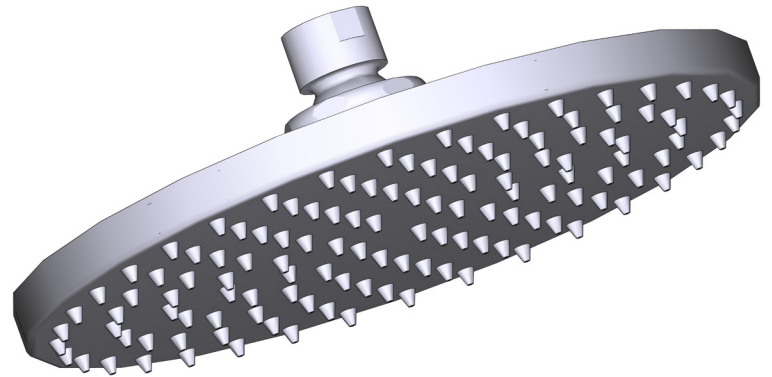
- Anticalcaire
- Entrée G1/2" femelle
- Orientable

DÉBIT

- 24 L/min, 60psi, 4 bar

GARANTIE

- www.riobel.design



8" (20cm) Shower Head

MODÈLES: R468C-EM

+44 (0)1952 221 100
www.riobel.design

A DISTINCTIVE MEMBER OF THE HOUSE OF ROHL

CARACTÉRISTIQUES TECHNIQUES

DESCRIPTION

- Entrée G1/2" femelle
- Raccord mâle-femelle G1/2"
- Profondeur réglable
- Sortie G1/2" mâle

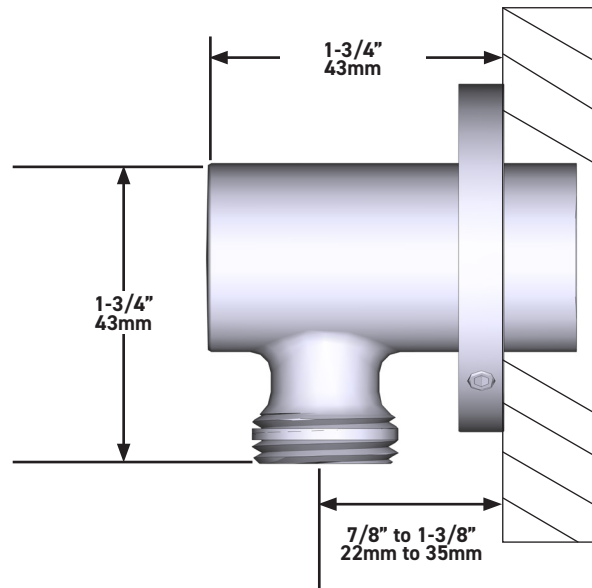
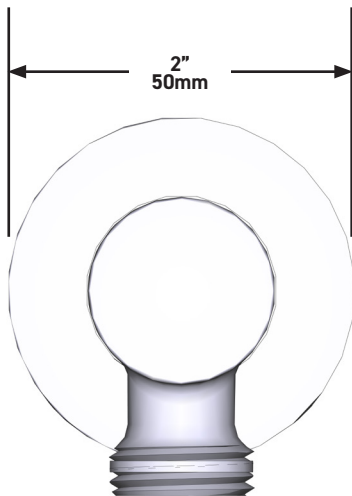
GARANTIE

- www.riobel.design



Coude de raccordement mural

MODÈLES: R710-EM



+44 (0)1952 221 100
www.riobel.design

A DISTINCTIVE MEMBER OF THE HOUSE OF ROHL

SPECIFICHE

IL KIT DOCCIA PARABOLA 323 INCLUDE

- TPB23C-EM - Valvola coassiale 2 vie di tipo T/P parte esterna
- R23-EM - Valvola coassiale 2 vie di tipo T/P parte interna
- R4878C-EM - Asta doccia
- R503C-EM - 40cm (16") Braccio doccia
- R468C-EM - 20cm (8") Soffione
- R710C-EM - Raccordo a gomito

GARANZIA

- www.riobel.design



KIT323PB-EM

+44 (0)1952 221 100
www.riobel.design

A DISTINCTIVE MEMBER OF THE HOUSE OF ROHL

SPECIFICHE

DESCRIZIONE

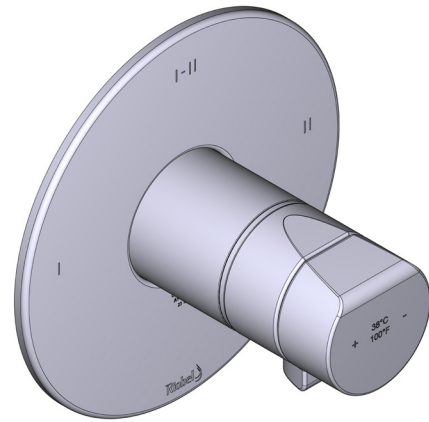
- 4 posizioni (off, 1, 1+2, 2)
- Cartuccia coassiale con valvole di controllo Termostatica/pressione
- Parte interna necessaria per R23-EM
- Solo parte esterna

FLUSSO

- 24 L/min, 60psi, 4 bar

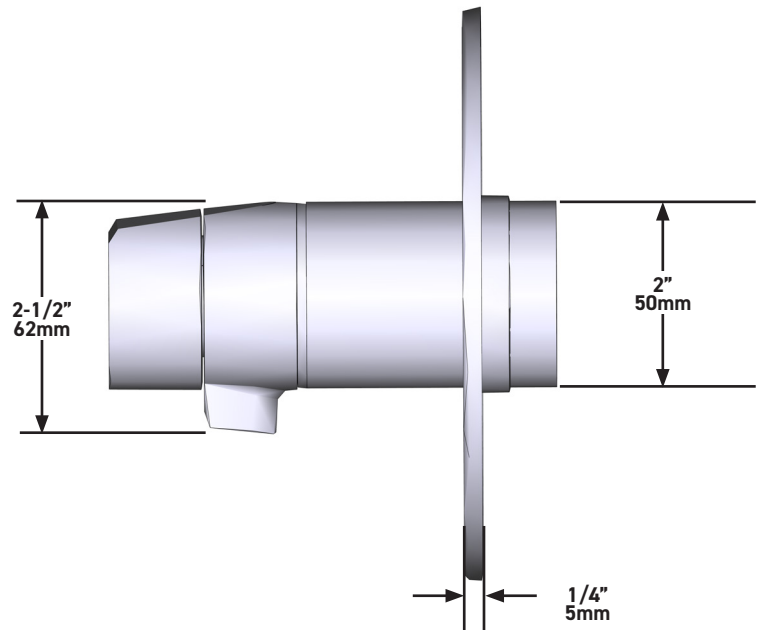
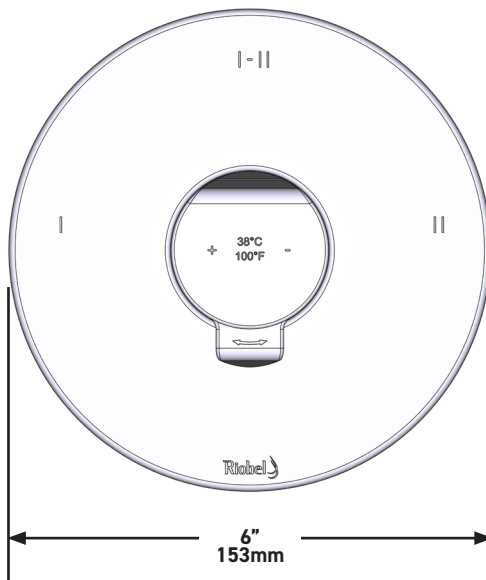
GARANZIA

- www.riobel.design



Valvola coassiale 2 vie di tipo T/P parte esterna

MODELLI: TPB23-EM



+44 (0)1952 221 100
www.riobel.design

A DISTINCTIVE MEMBER OF THE HOUSE OF ROHL

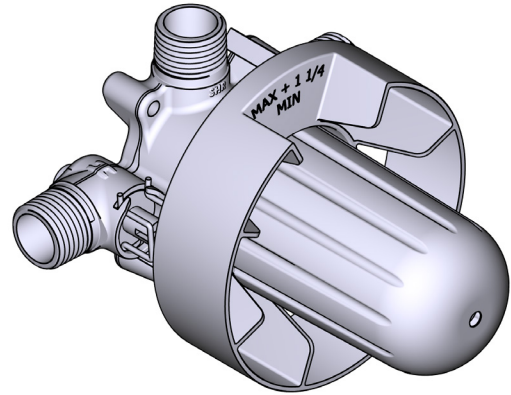
SPECIFICHE

DESCRIZIONE

- Tappo di sicurezza
- Valvola di servizio
- G1/2" congiunzione maschio
- Two G½" uscite
- TGS23-EM trim necessario per completare
- Solo ruvido

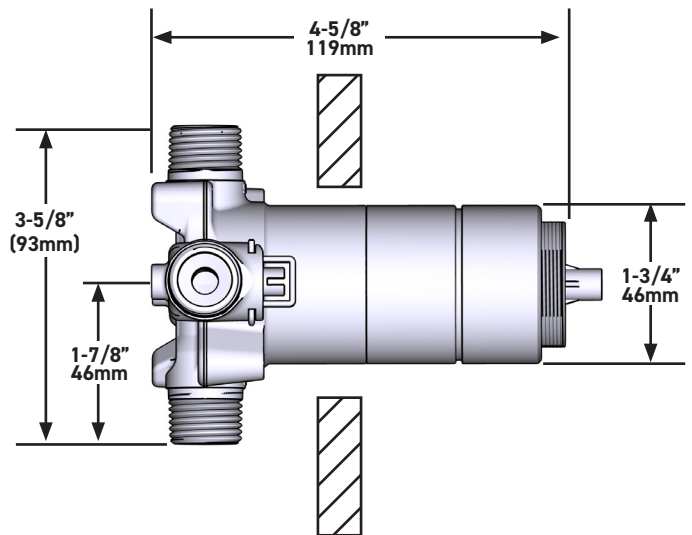
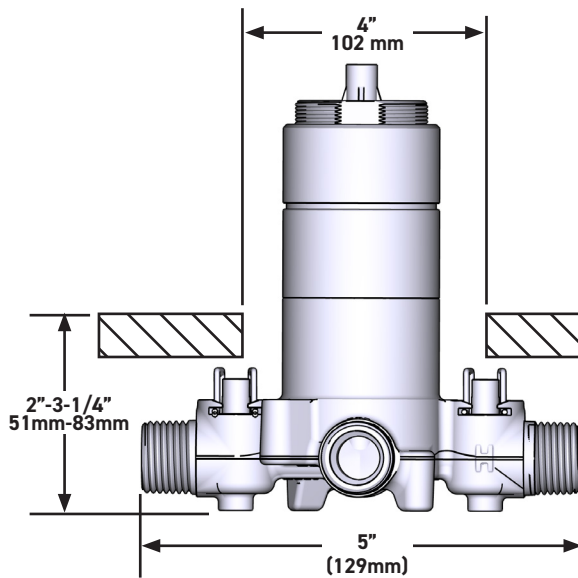
GARANZIA

- www.riobel.design



Valvola coassiale 2 vie di tipo T/P parte esterna

MODELLI: R23-EM



+44 (0)1952 221 100
www.riobel.design

A DISTINCTIVE MEMBER OF THE HOUSE OF ROHL

DESCRIZIONE

- Cursore sinistro Easy-Glide
- Tubo flessibile doccia 150cm con snodo e 2 valvole
- Ugelli facili da pulire
- Doccetta con doppio getto

FLUSSO

- 6.7 L/min, 60psi, 4 bar

GARANZIA

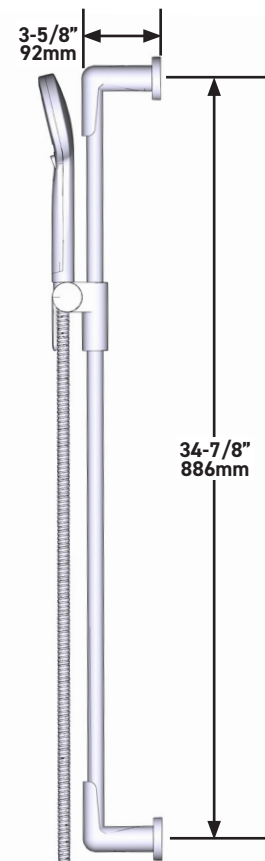
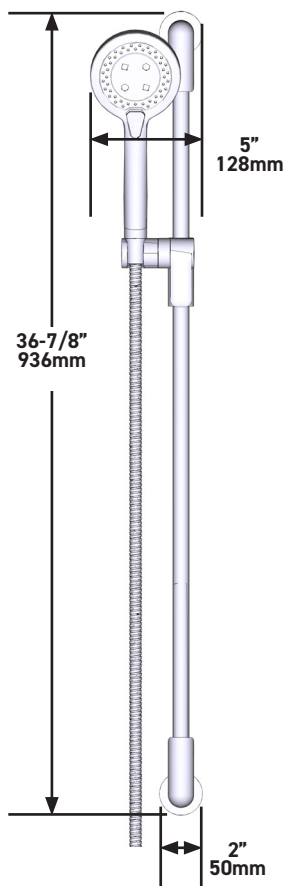
- www.riobel.design

SPECIFICHE



Asta doccia

MODELLI: R4878-EM



+44 (0)1952 221 100
www.riobel.design

A DISTINCTIVE MEMBER OF THE HOUSE OF ROHL

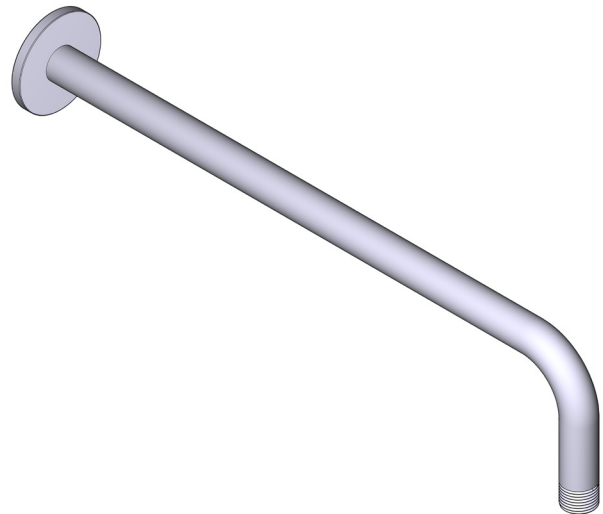
SPECIFICHE

DESCRIZIONE

- G1/2" congiunzione maschio
- Rosetta doccia Tonda

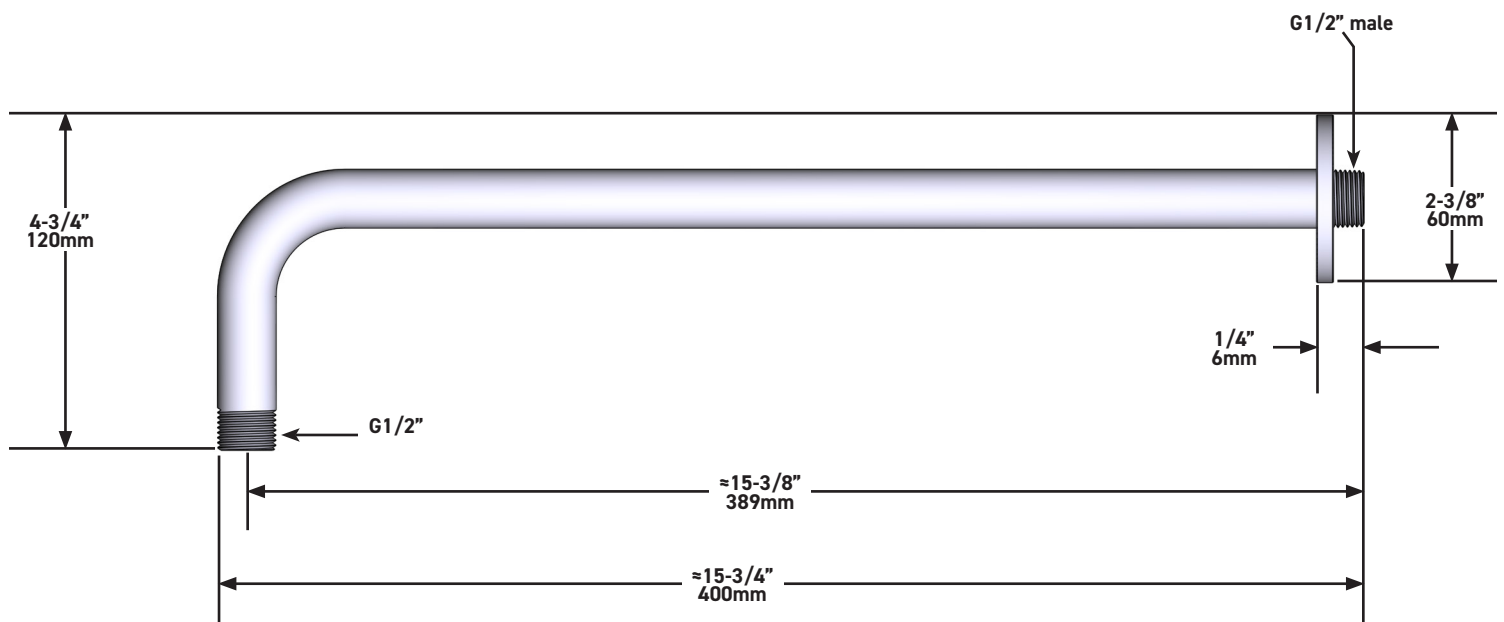
GARANZIA

- www.riobel.design



40cm (16") Braccio doccia

MODELLI: R503-EM



+44 (0)1952 221 100
www.riobel.design

A DISTINCTIVE MEMBER OF THE HOUSE OF ROHL

SPECIFICHE

DESCRIZIONE

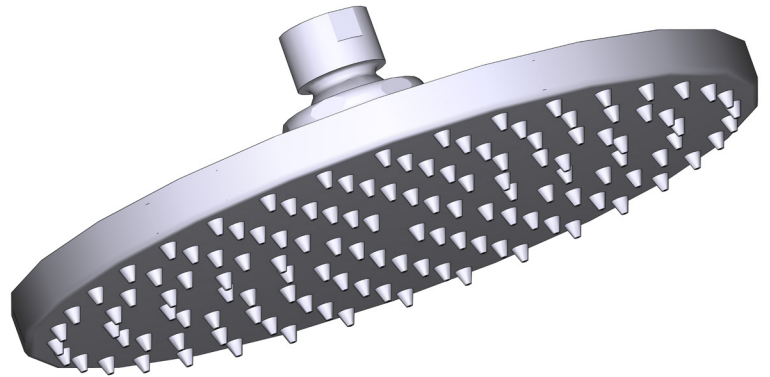
- Ugelli facili da pulire
- G1/2" ingresso femmina
- Girevole

FLUSSO

- 24 L/min, 60psi, 4 bar

GARANZIA

- www.riobel.design



8" (20cm) Shower Head

MODELLI: R468C-EM

+44 (0)1952 221 100
www.riobel.design

A DISTINCTIVE MEMBER OF THE HOUSE OF ROHL

SPECIFICHE

DESCRIZIONE

- G1/2" ingresso femmina
- Tige G1/2" fournie
- Profondità variabile
- G1/2" uscita maschio

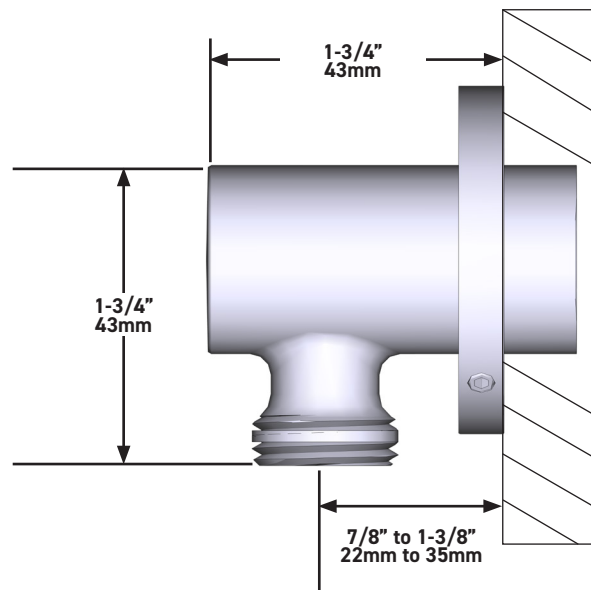
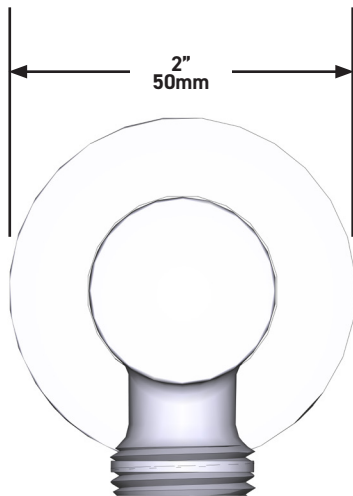
GARANZIA

- www.riobel.design



Raccordo a gomito

MODELLI: R710-EM



+44 (0)1952 221 100
www.riobel.design

A DISTINCTIVE MEMBER OF THE HOUSE OF ROHL

CARACTERÍSTICAS TÉCNICAS

EL KIT DE DUCHA PARÁBOLA 323 INCLUYE

- TPB23C-EM - Conjunto embellecedor para cuerpo termostático de 2 vías
- R23-EM - Cuerpo empotrado para mezclador termostático de 2 vías
- R4878C-EM - Barra de ducha
- R503C-EM - 40cm (16") Brazo de ducha
- R468C-EM - 20cm (8") Rociador de ducha
- R710C-EM - Codo de salida de pared

GARANTÍA

- www.riobel.design



KIT323PB-EM

+44 (0)1952 221 100
www.riobel.design

A DISTINCTIVE MEMBER OF THE HOUSE OF ROHL

CARACTERÍSTICAS TÉCNICAS

DESCRIPCIÓN

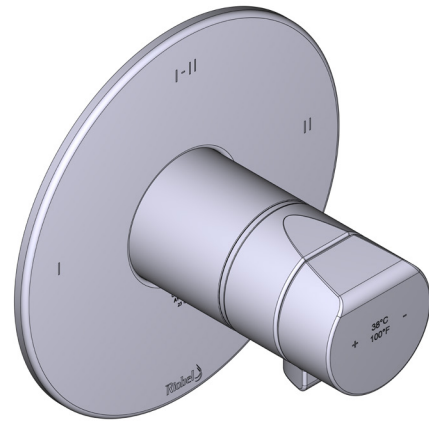
- 4 posiciones (OFF, 1, 1 y 2, 2) compartidas
- Cartucho termostático coaxial con válvulas anti retorno
- R23-EM cuerpo empotrado requerido para completar la instalación
- Solo placa embellecedora

CAUDAL

- 24 L/min, 60psi, 4 bar

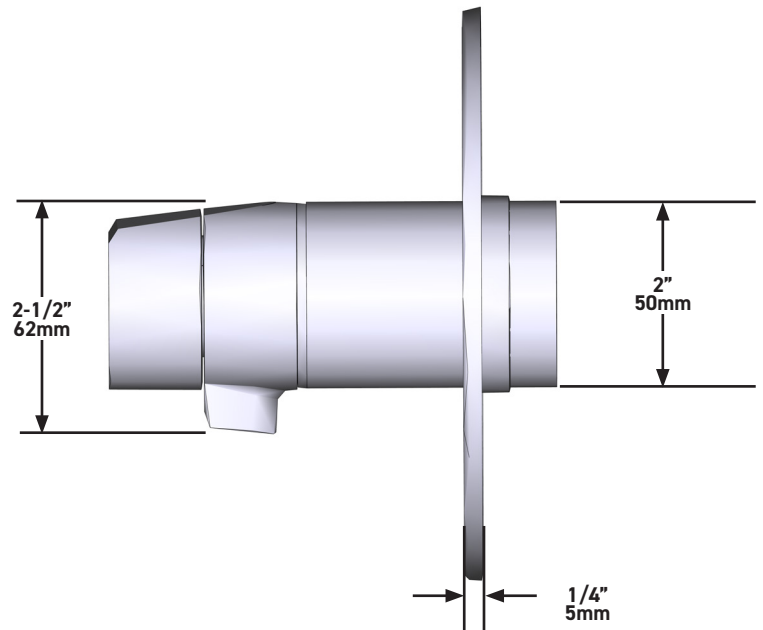
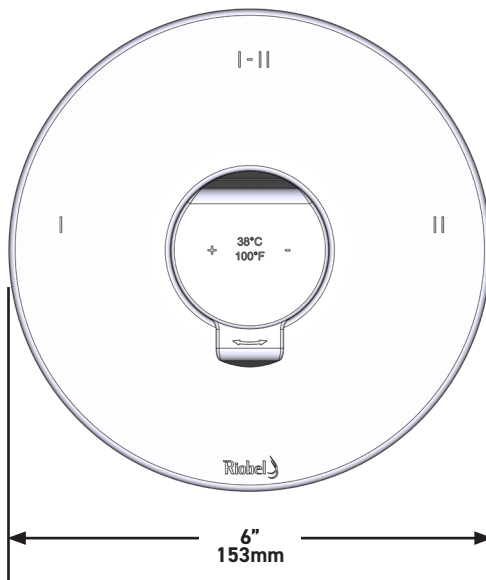
GARANTÍA

- www.riobel.design



**Conjunto embellecedor para cuerpo termostático de 2 vías
(T/P: cartucho termostático coaxial con equilibrador de presión)**

MODELOS: TPB23-EM



+44 (0)1952 221 100
www.riobel.design

A DISTINCTIVE MEMBER OF THE HOUSE OF ROHL

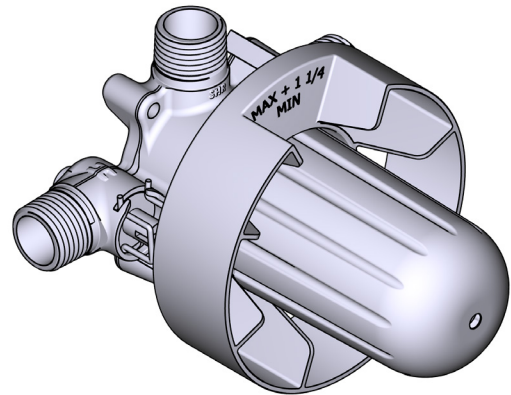
CARACTERÍSTICAS TÉCNICAS

DESCRIPCIÓN

- Tapón de prueba
- Llave de paso
- Conexión macho G1/2"
- Two G½" salidas
- TGS23-EM recorte requerido para completar
- Solo áspero

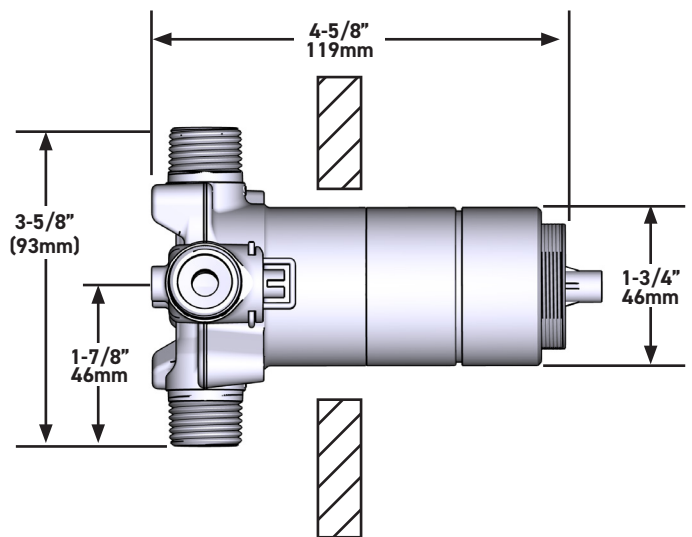
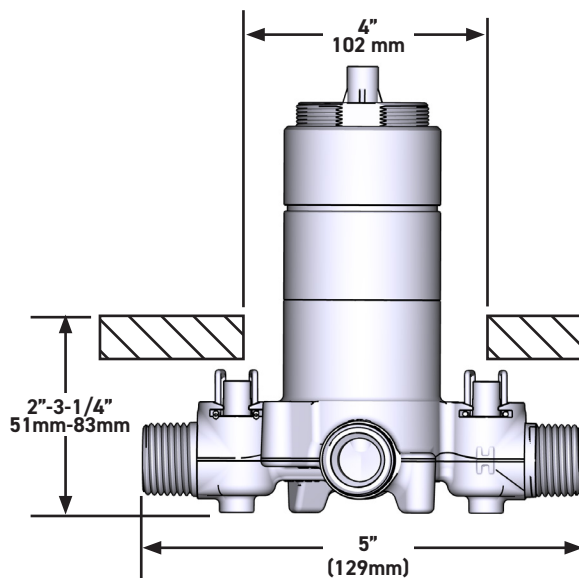
GARANTÍA

- www.riobel.design



Conjunto embellecedor para cuerpo termostático de 2 vías (T/P: cartucho termostático coaxial con equilibrador de presión)

MODELOS: R23-EM



+44 (0)1952 221 100
www.riobel.design

A DISTINCTIVE MEMBER OF THE HOUSE OF ROHL

CARACTERÍSTICAS TÉCNICAS

DESCRIPCIÓN

- Soporte deslizante, sistema "Easy Glide"
- Flexo de ducha reforzado de 150 cm.
Tuerca giratoria y 2 válvulas anti retorno
- Anticalcárea
- Ducha de mano 2 jets

CAUDAL

- 6.7 L/min, 60psi, 4 bar

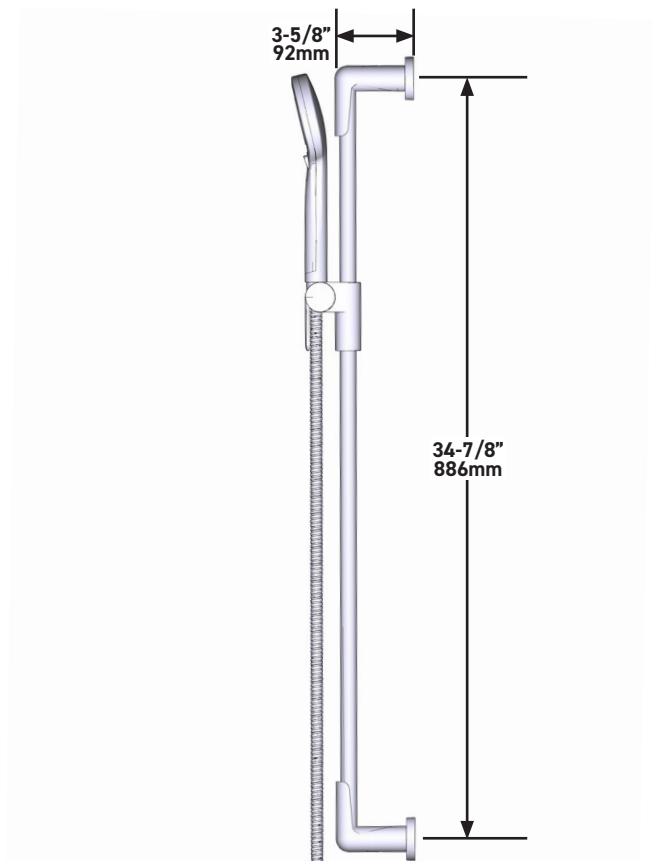
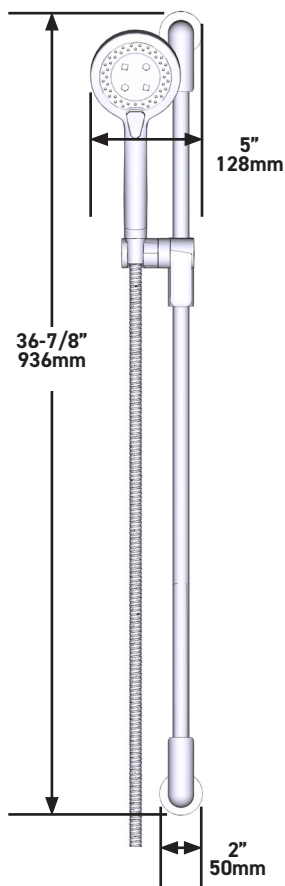
GARANTÍA

- www.riobel.design



Barra de ducha

MODELOS: R4878-EM



+44 (0)1952 221 100
www.riobel.design

A DISTINCTIVE MEMBER OF THE HOUSE OF ROHL

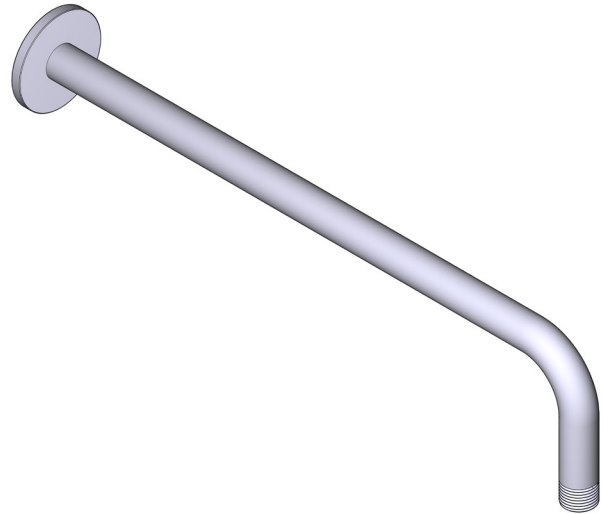
CARACTERÍSTICAS TÉCNICAS

DESCRIPCIÓN

- Conexión macho G1/2"
- Florón redondo

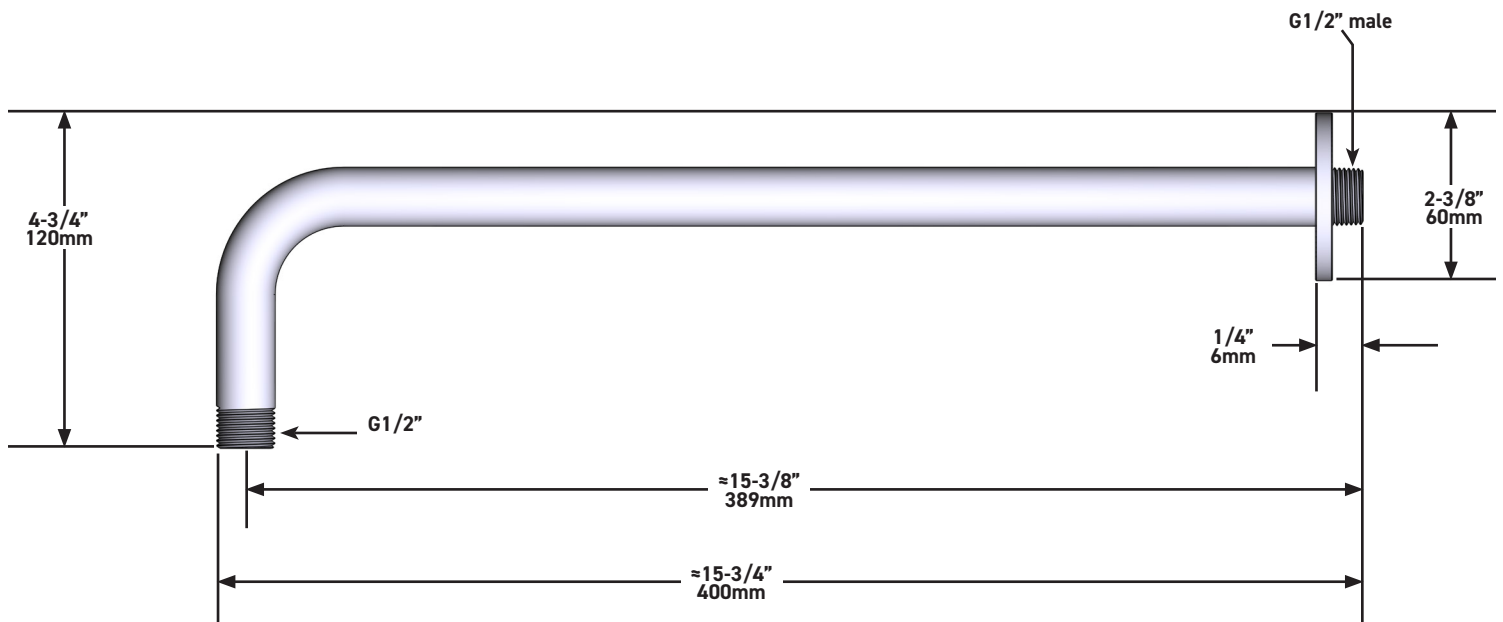
GARANTÍA

- www.riobel.design



40cm (16") Brazo de ducha

MODELOS: R503-EM



+44 (0)1952 221 100
www.riobel.design

A DISTINCTIVE MEMBER OF THE HOUSE OF ROHL

CARACTERÍSTICAS TÉCNICAS

DESCRIPCIÓN

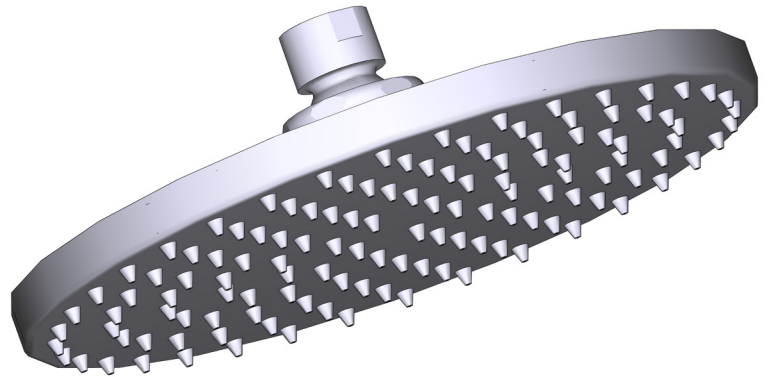
- Anticalcárea
- Entrada G1/2" hembra
- Orientable

CAUDAL

- 24 L/min, 60psi, 4 bar

GARANTÍA

- www.riobel.design



8" (20cm) Shower Head

MODELOS: R468C-EM

+44 (0)1952 221 100
www.riobel.design

A DISTINCTIVE MEMBER OF THE HOUSE OF ROHL

CARACTERÍSTICAS TÉCNICAS

DESCRIPCIÓN

- Entrada hembra G1/2"
- Racor macho-hembra G1/2"
- Profundida regulable
- Salida macho G1/2"

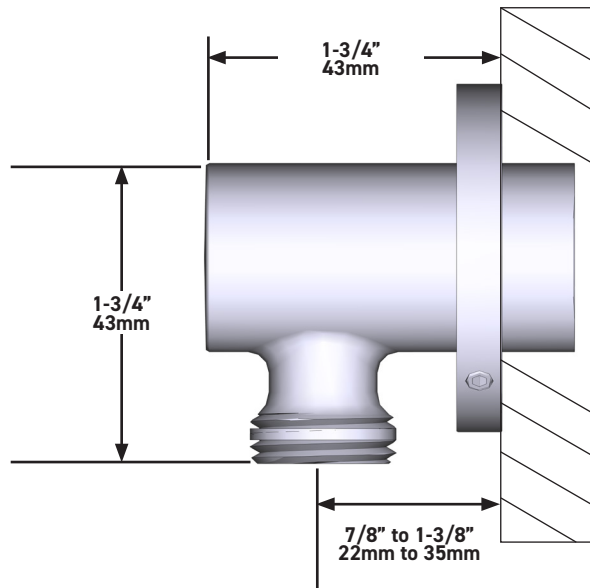
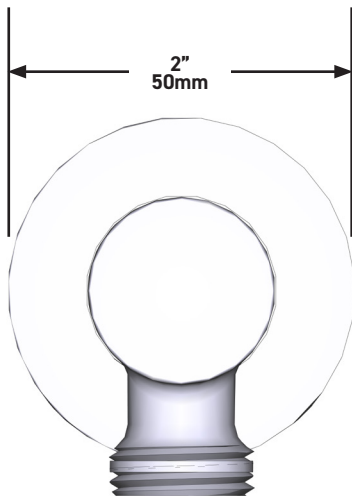
GARANTÍA

- www.riobel.design



Codo de salida de pared

MODELOS: R710-EM



+44 (0)1952 221 100
www.riobel.design

A DISTINCTIVE MEMBER OF THE HOUSE OF ROHL