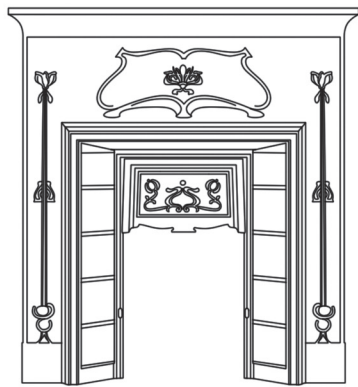


# The Verona Combination Assembly Guide

## Contents



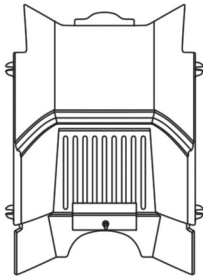
Fireplace Fascia



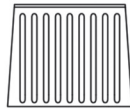
Shelf



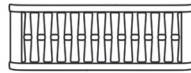
Damper Plate



Fireplace Back



Fire Brick



Bars



Grate



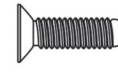
Ashpan Cover



Firebrick Retaining Plate



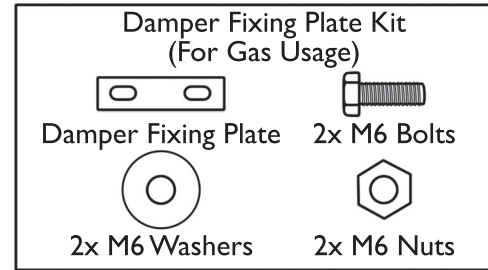
3x M8 Nut



3x M8 Bolt



Ashpan Handle



2x M6 Washers



5x M6 Nut



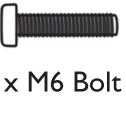
5x M6 Washer



2x Fixing Studs

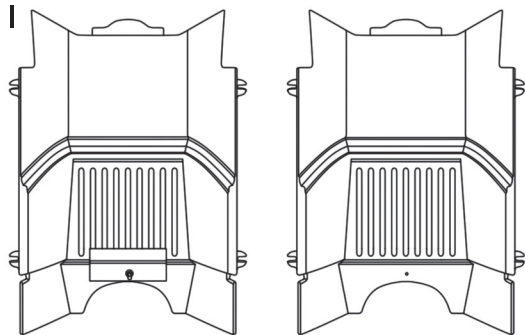


3x M6 Grub



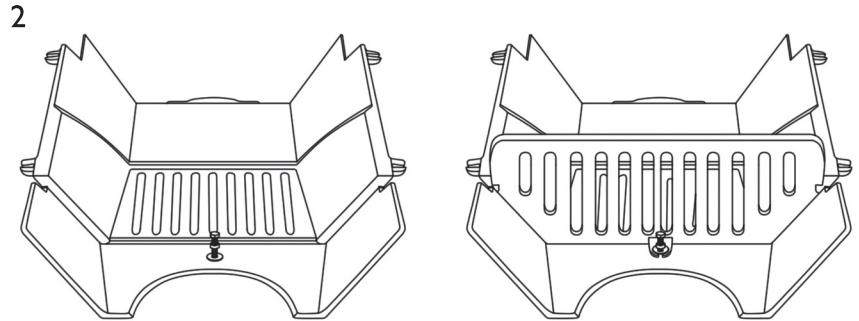
1x M6 Bolt

Please note, a flat head screwdriver and spanner are required to assemble this fireplace.



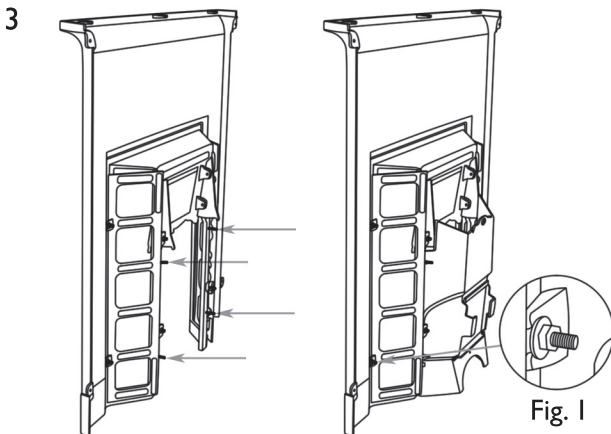
1 Remove the Firebrick Retaining Plate by removing the 1 x M6 Stud, Washer and Bolt.

THIS STEP IS NOT REQUIRED FOR SOLID FUEL USE

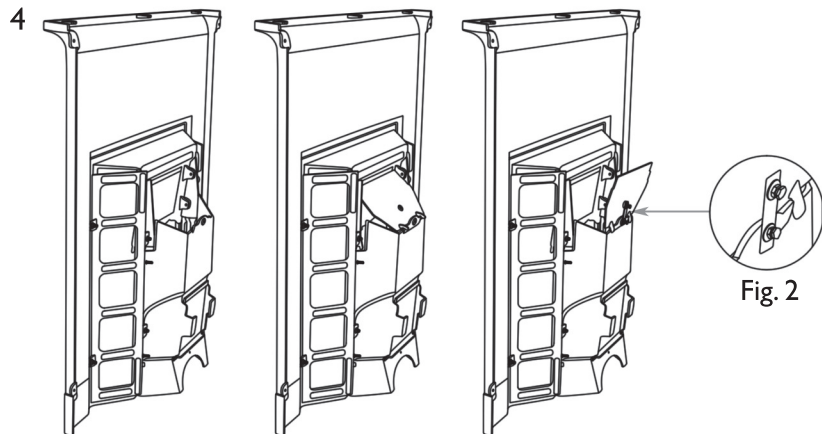


2 Lay Fireplace Back down on level ground. Position Firebrick in place and then insert 1 x M6 Stud into the hole just below the Firebrick. Insert Grate into the groves on the Fireplace Back, passing the fixing lug over the M6 Stud. Secure in place with 1 x M6 Washer and 1 x M6 Bolt.

THIS STEP IS NOT REQUIRED FOR GAS USAGE.



3 Insert the 4 M6 Studs into the back of the Fireplace Fascia. Attach Fireplace Back to the back of the Fireplace Fascia, ensuring that the M6 Studs pass through the fixing brackets on the Fireplace Back. Secure and tighten using 4 M6 Washers and 4 M6 Nuts.



4 Solid Fuel Usage: Rest the Damper Plate onto the groove on the back of the Fireplace Fascia.

Gas Usage: The Damper Plate must remain fixed open for Gas Usage by using the Damper Plate fixing Kit. Screw M6 Nut fully onto M6 Bolt and lastly M6 washer x2. Attach Damper Fixing Plate as fig 2.

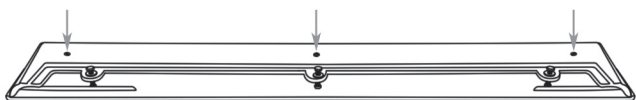


[www.carronheating.co.uk](http://www.carronheating.co.uk)

T: 01400 263 319 | E: [sales@carronheating.co.uk](mailto:sales@carronheating.co.uk)

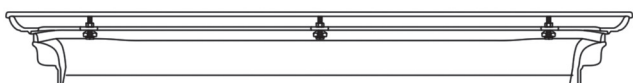
# The Verona Combination Assembly Guide

4



Place shelf upside down on a flat surface and remove the 3 screws as above with a flat head screwdriver. Remove the bottom half of the shelf, pass the 3 M8 Bolts through 3 M8 Washers and the holes on the bottom half of the shelf. Loosely attach the 3 M8 Nuts to the bolts and assemble the two halves of the shelf back together.

Rest the Shelf on the Fireplace Fascia and pass the 3 bolts through the fixing lugs (Fig. 3) on the back of the Fireplace Fascia. The 3 Washers should be below the fixing lugs. To secure the shelf, tighten with spanner.



Rear View with Shelf attached

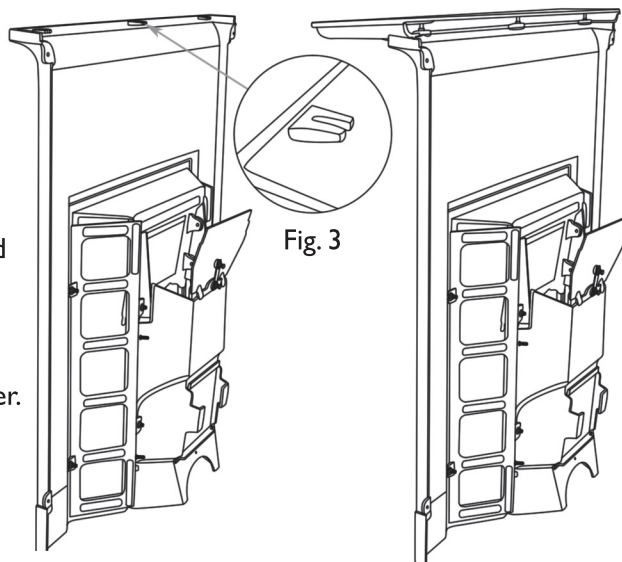


Fig. 3

5

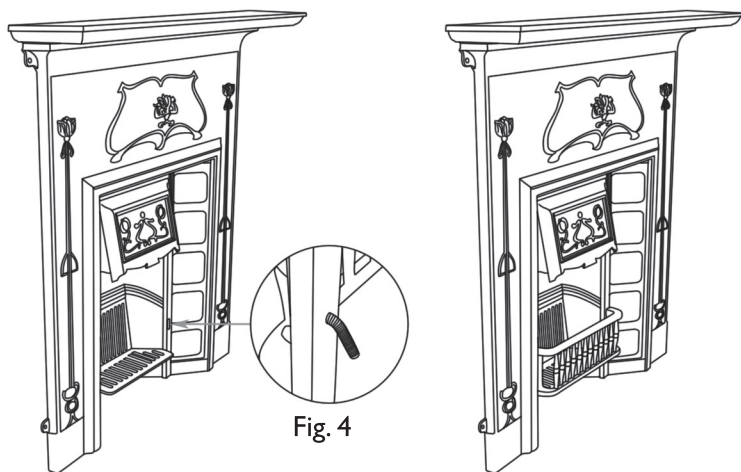
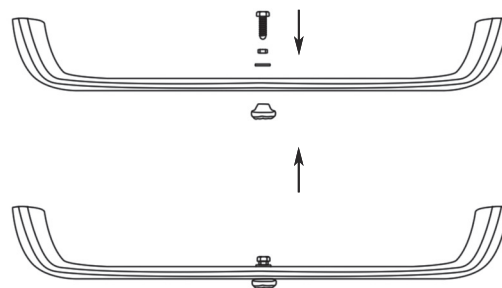


Fig. 4

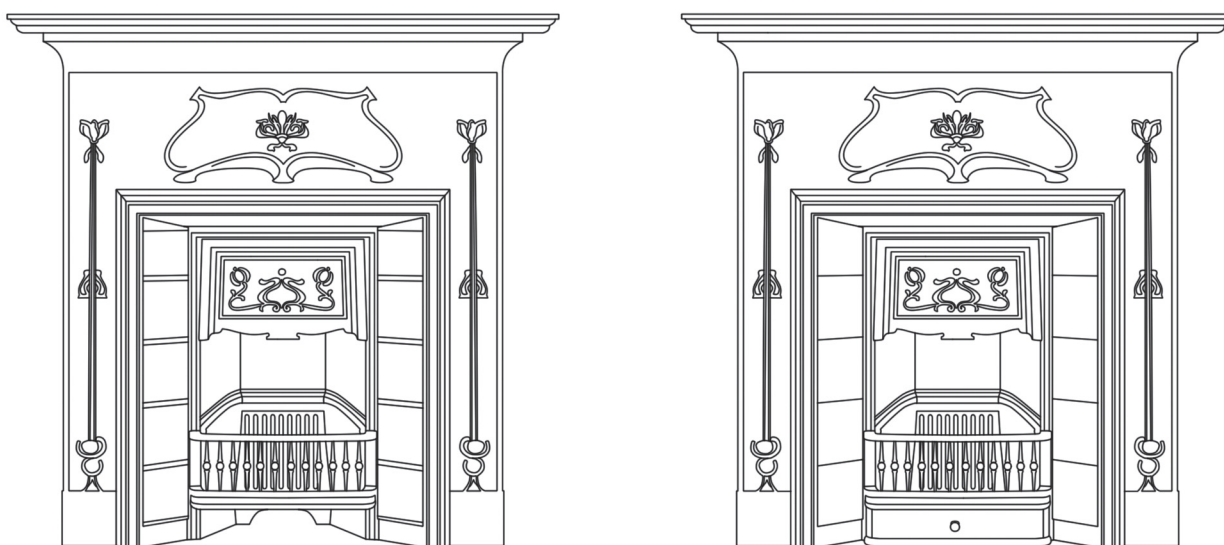
Attach the 2x Fixing Studs to the back of the Bars as Fig. 4. Attach Bars to the Fireplace Fascia, passing 2x Fixing Studs through the grooves.

6



Attach the Ashpan Handle to the Ashpan using 1x M6 Bolt, 1x M6 Washer and 1x M6 Nut.

7



To complete, place Ashpan Cover below Grate and Bars on the front of the Fireplace.



[www.carronheating.co.uk](http://www.carronheating.co.uk)

T: 01400 263 319 | E: [sales@carronheating.co.uk](mailto:sales@carronheating.co.uk)