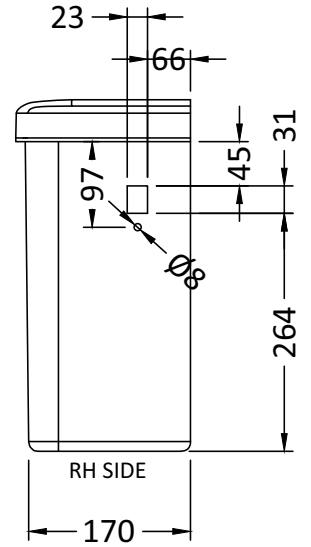
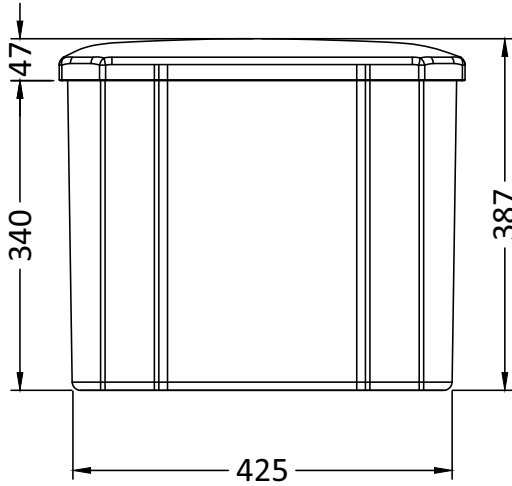
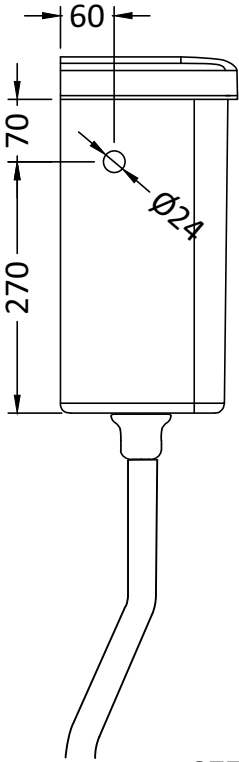


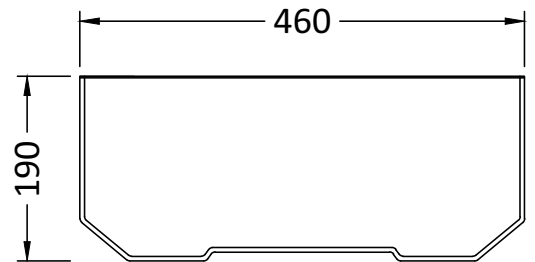
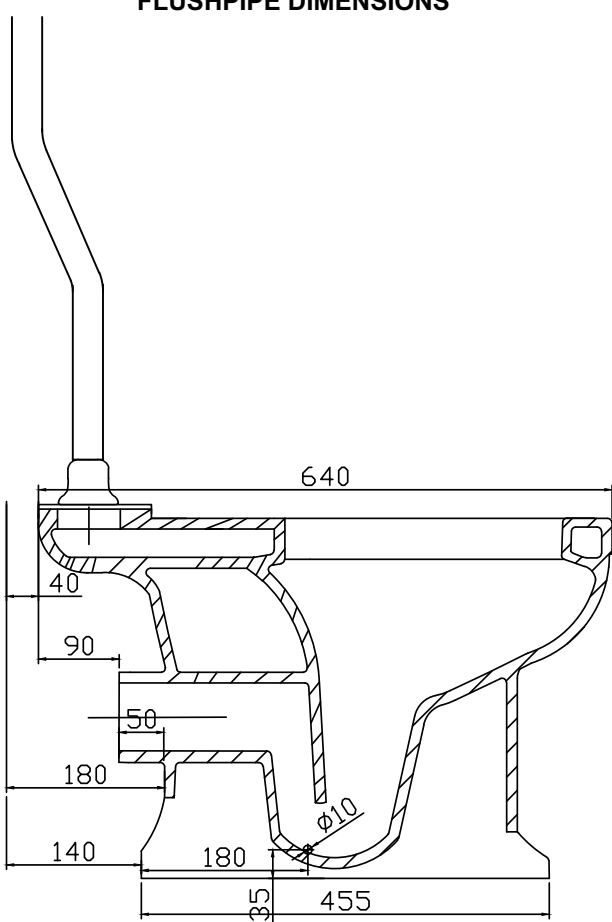
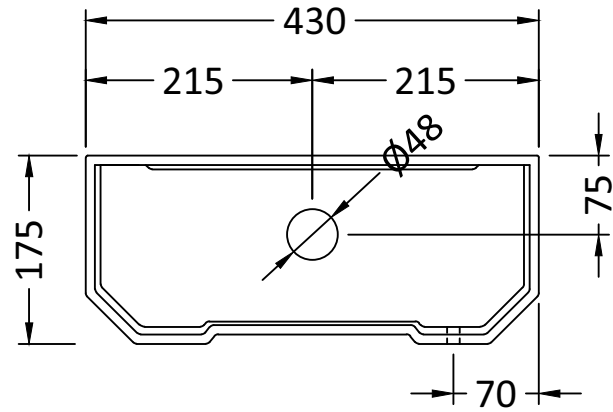
CUSTOMER SPECIFICATION SHEET - SANITARYWARE

SALES CODE:	VCHC103	DESCRIPTION:	VICTRION HIGH LEVEL CISTERN	CODE: VCHC103
--------------------	---------	---------------------	-----------------------------	----------------------

**FOR USE WITH
 VICTRION UNIVERSAL CLOSE COUPLED TOILET PAN CODE: VCT001**



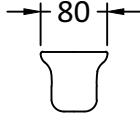
SEE NEXT PAGE FOR
 FLUSHPIPE DIMENSIONS



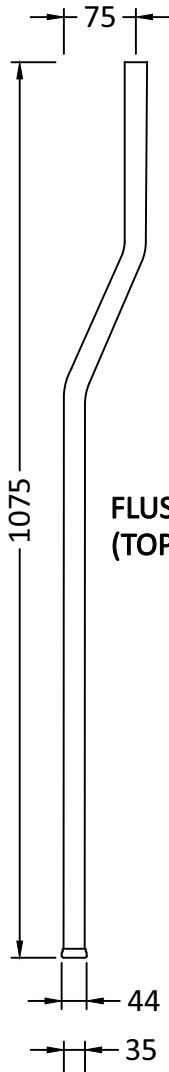
FLUSHPIPE DIMENSIONS



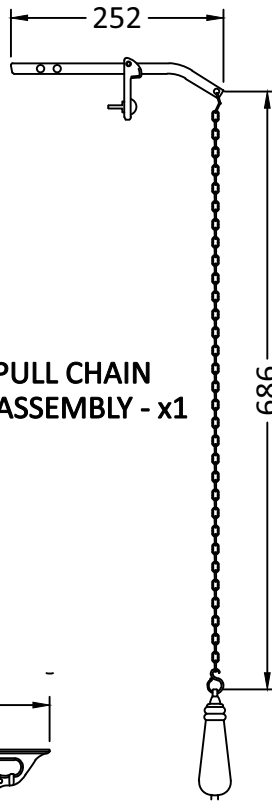
DECORATIVE CONE
Inc' 'O' RINGS - x2



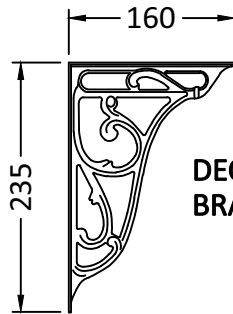
SALES CODE:	VCHF003PCP	DESCRIPTION:
VICTRION HIGH LEVEL CISTERN PIPE SET		
FOR USE WITH		
VICTRION HIGH LEVEL CISTERN CODE: VCHC103		
VICTRION UNIVERSAL CLOSE COUPLED TOILET PAN CODE: VCT001		



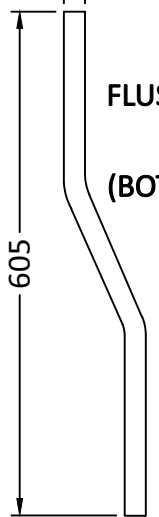
FLUSH PIPE
(TOP SECTION) - x1



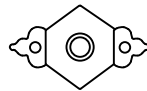
PULL CHAIN
ASSEMBLY - x1



DECORATIVE SUPPORT
BRACKETS - x2

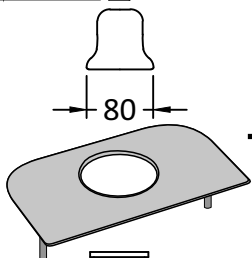


FLUSH PIPE
(BOTTOM SECTION) - x1

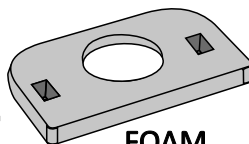


DECORATIVE WALL
FIXING BRACKET - x1

CHROMED
COVER PLATE - x1



FOAM
GASKET - x1



RUBBER PAN
BUNG - x1