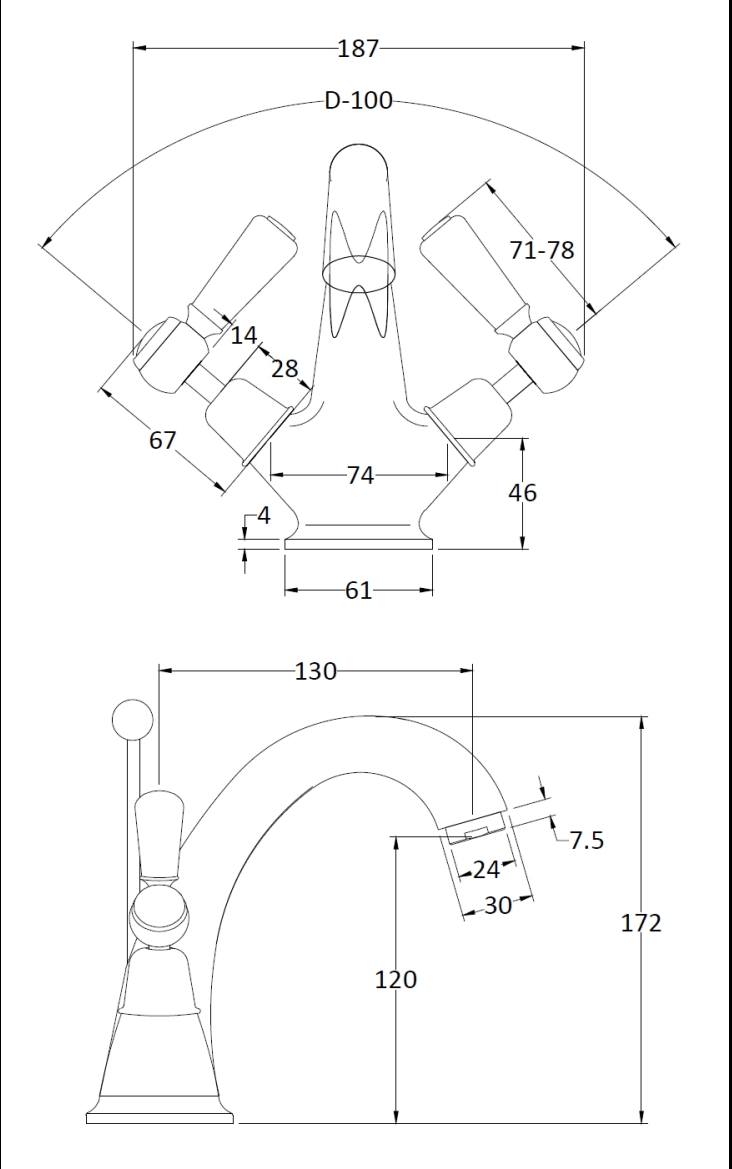


\$ % FTJHOT
 5IF % FTJHO 8
 "MMFOT 'B
 \$PMDIFTU
 &TTFY
 \$0 #/

\$6450. & 3 % "5" 4) && 5 #3 '448" 3 &

XXX CDEFTJHOT

4" - & 4 \$C \$5# % & 4 \$ 3 * 1 5 7 JDUSJPO - FWFS .



130%6\$5 % * . & / 4 * 0 / 4				
)FJHIU	8NEUI	N%FQUI	NFOHUI	MNUU 8H U

1" \$, " (* / (% * . & / 4 * 0 / 4			
H)FJHIU	NN8JEUI	NN % FQUI	NN\$PPT 8H U

1" \$, " (* / (% " 5 "		
#PY \$PMPV8	SIJUF \$BSEC	
#PY 2UZ		-BCFM \$P M8V9F
-BCFM 4J	00 950	-BCFM 2UZ

065&3 #09 % * . & / 4 * 0 / 4 * G "QQM			
)FJHIU	8NEUI	N%FQUI	NFOHUI (SPTT 8H U
#BSDPEF			

130%6\$5 % & 5" * - 4	
\$PVOUSZ PG	CSJHJO
'JUJJOH *OTUS	SVDUJPO
1SPEVDU .BUF	\$SBM
\$POUSPM 5ZQF	F.BO\
8BTUF *ODMVE	8BTUF *(
83"4 "QQSPWB	MF "QQSPWBM /P
0QFSBISFCHVS	F CBS
7BMWFB\$BSUS	JEH5VZQ\$FS

\$PMPVS 'JOJTI\$ISP	
.PVOU 5ZQF	% F
8BTUF 5ZQF	1PQ
'MPX 3BUFT	-JUSF6.4FS .406.2 c23.4 c43.5 c41
1JQF 4J[F	NN
1JQF \$FOUSFT	/ "