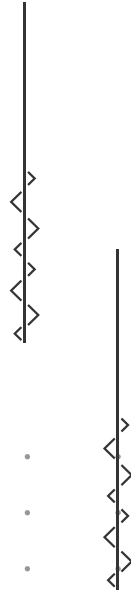
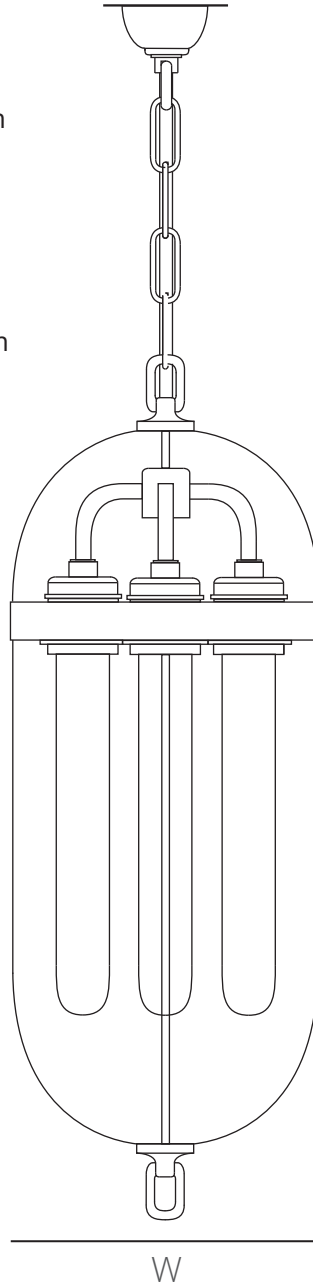
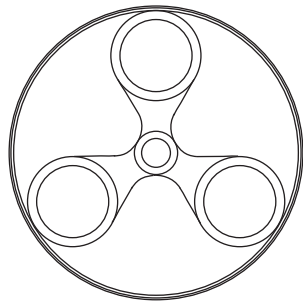
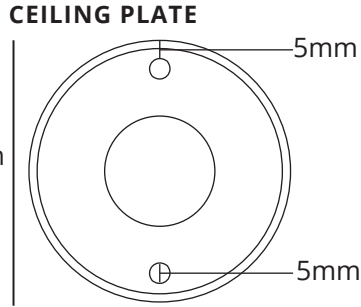




# FRITZ FRYER

## ASTON LANTERN

SPECIFICATION	WEIGHT (g)	PRODUCT CODE	BULB CAP	MAX. WATTAGE	IP RATING	W (mm)	H (mm)
MEDIUM	2250	FFLANT-AST	E27	40	IP20	165	460



-  Various metal and feed colours available. Choose from the following glass types: Clear, Ribbed, Smoked, White, or Skinny Ribbed. See website for further information.
-  Weights and measurements are approximate. Cable length 100cm, bespoke cable lengths, colours and ES fittings are available on request.



theLIA MEMBER

CE



EST 1982  
**FRITZ FRYER**  
LIGHTING SPECIALISTS

This luminaire is compatible with bulbs of the energy classes:

A++  
A+  
A  
B  
C  
D  
E

874/2012